



700 Series Ball Valve Service Kits

Features & Benefits

Precision machined from certified bar stock, the Oasis spare part kit returns the valve to full performance.

The Oasis spare part kit is:

- readily available
- easy to install
- valves can be re-kitted multiple times

Stem comes pre-assembled.

Tolerances are +/-0.2mm.

Guaranteed to fit - guaranteed to work.

All products are manufactured under ISO 9001:2000 approved standards.

Download service instructions at www.OasisNGV.com



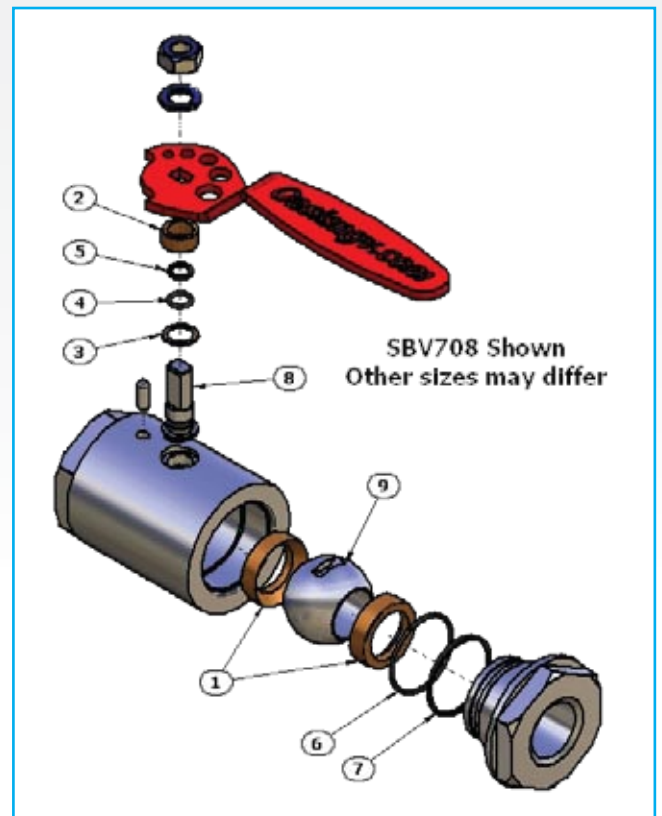
Materials

ITEM	PART	MATERIAL
1	Seat	Delrin AF*
2	Gland	Delrin AF*
3	Thrust washer	Delrin AF*
4	Stem o-ring	Nitrile (some models)**
5	Stem o-ring back up	Nitrile**
6	Cap o-ring	Nitrile (some models)**
7	Cap o-ring back up	Nitrile**
8	Stem	T316 Stainless steel
9*	Ball	T316 Stainless steel
**	Stem lock washer	T304 Stainless steel

* PEEK optional.

** Viton optional.

The number of O-rings will differ between valve sizes.





700 Series Ball Valve Service Kits

Ordering Process

