



# 700 Series Tube Lock End Configuration

## Features & Benefits

A precision manufactured valve featuring tube lock male ends machined into the valve body. Supplied complete with nuts and double compression ferrel system.

Faster, more reliable installation providing ease of serviceability.

Fully serviceable, utilizing the standard Oasis valve kits.

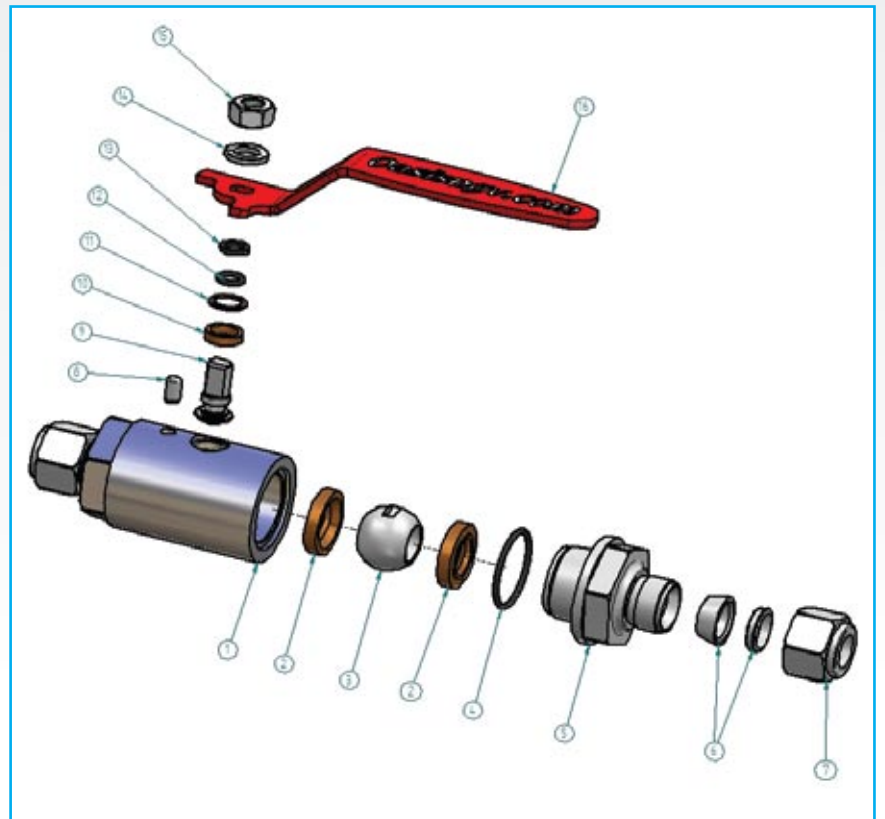
Tough and durable with all the benefits of the proven Oasis ball valves

The complete Oasis range has been cycle tested to ensure lowest life cost. Oasis recommends re-kitting all valves at 125,000 cycles. Service seal kits are readily available, simple to install and common for all thread valve types.



## Materials

ITEM	PART	MATERIAL
1	Body	304 Stainless steel*
2	Seat	Delrin AF**
3	Ball	316 Stainless steel
4	Cap O-ring	Nitrile N90 <sup>†</sup>
5	End cap	304 Stainless steel*
6	Ferrels	316 Stainless steel
7	Ferrel cap	316 Stainless steel
8	Stop pin	316 Stainless steel
9	Stem	316 Stainless steel
10	Gland	Delrin AF**
11	Thrust washer	Delrin AF**
12	O-ring	Nitrile N90 <sup>†</sup>
13	Backup O-ring	Nitrile N90 <sup>†</sup>
14	Spring washer	304 Stainless steel
15	Nut	304 Stainless steel
16	Handle	304 Stainless steel



\* T316 Stainless steel available on request.

\*\* PEEK available on request.

<sup>†</sup> Viton available on request.



## 700 Series Tube Lock End Configuration

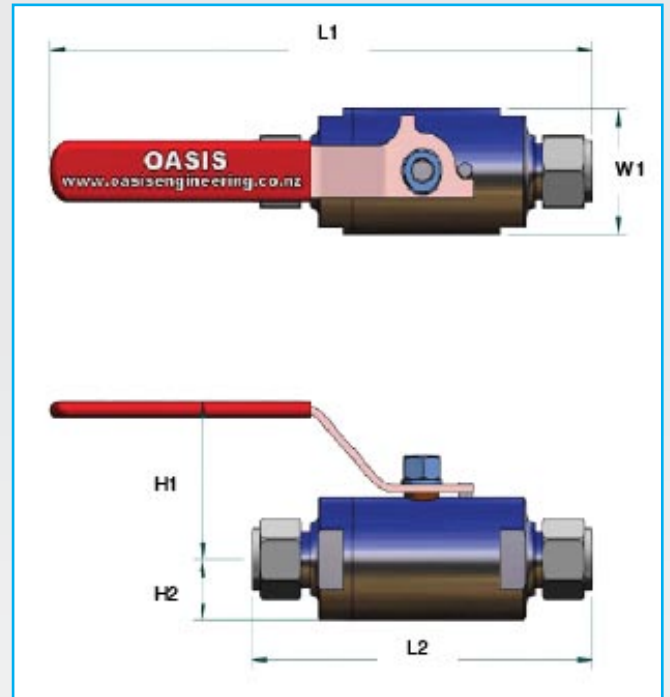
### Application & Specification Information

CNG compressors, dispensers, priority panels, fill panels.

CNG storage.

Panel Mounted.

Actuator Mounted.



### Dimensions (mm)

Part Code	Length (L1)	Length (L1)	Width (W1)	Height (H1)	Height (H2)	Fits tube
BV703-4T6SDDN-1000	175	105	31.5	45	15	3/8"
BV704-4T6SDDN-1000	185	123	38	50	18	1/2"
BV706-4T6SDDN-1000	185	123	38	50	18	3/4"

Operating Pressure Range 800 PSI to 6000 PSI.  
Custom configuration available for 5 PSI to 6000 PSI.

Burst Pressure > 20000 PSI.

Other diameter options available on request.

Valve flow rate specifications as per - Standard "Ball Valves".

All products are manufactured under ISO 9001:2000 accredited standards.

Full Flow Ball Valve design.

Custom Handle options available on request.