



100 Series Vent Hose Breakaway

Applications

Vent hose breakaway designed for use with both public and private CNG refueling stations.



IB102-6AXXP - Vent Hose Breakaway (Only For Vent Hose)

Materials

Item	Part	Material
1	Female Body	316 Stainless steel
2	Male Cap	316 Stainless steel
4	O-rings	Nitrile
5	Locking Spring	316 Stainless steel

Product Information

Product design to be used in dispenser vent hoses only, gas trapped in vent hose will be vented to atmosphere once separated in case of disconnection event.

All products are manufactured under ISO 9001 accredited standards.

Complies to CSA/ANSI NGV 4.4:21.

Complies to PED 2014/68/EU.

CRN (0H22035.5C) approved for all provinces and territories.

SAE Ports to SAE1926-1 are standard.

Features & Benefits

Easily reconnected after a breakaway event.

Body tested to 102,000 pressure cycles.

Made from durable and corrosion resistance materials.

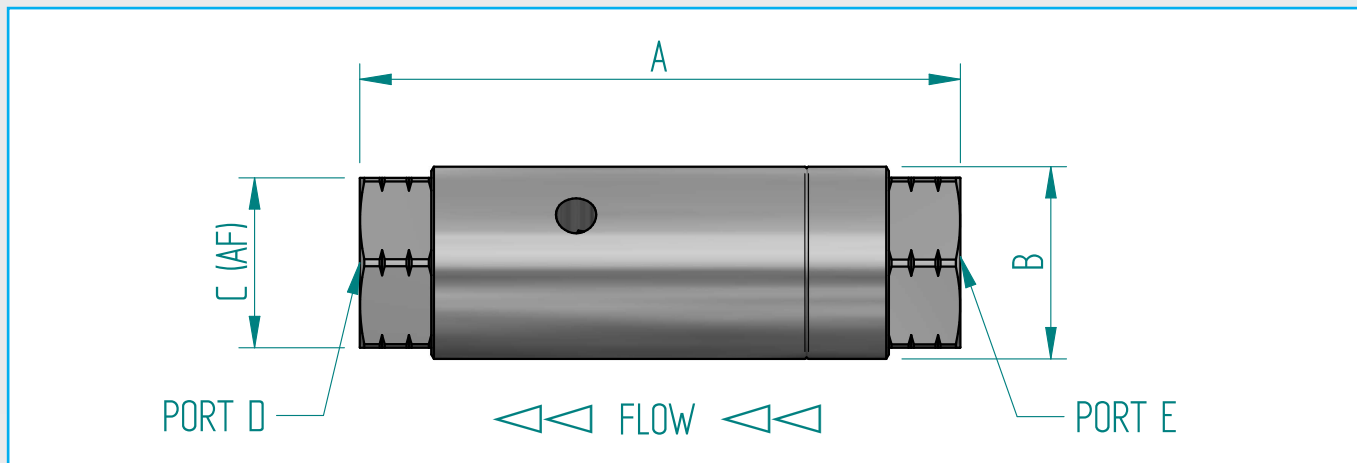
Pressure balanced connection that eliminates unwanted separation.

Easily serviceable with two piece assembly.

Light weight design reduces damage to dispensers.



100 Series Vent Hose Breakaway



Dimensions Inch (mm)

Part Code	A	Ø B	C (AF)	Port D	Port E
IB102-6AXXP	2.64" (67)	0.84" (21.5)	0.75" (19)	9/16"-18 SAE Female	9/16"-18 SAE Female

Product Specification

Part Code	Mass lb (kg)	MAWP bar (psi) *	Test Pressure bar(psi) **	Min. Temp. °F (°C)	Max Temp. °F (°C)	Cycles Before Rekit [^]	Tims Before Rekit [^]	Max Number of Disconnects [#]	Separation Force	Service Kit
IB102-6AXXP	0.29 (0.13)	312.5 (4530)	375 (5440)	-40 (-40)	150 (65)	100,000	3 years	10	100N < 667N 22.5lbf < 150lbf	IB102-SK1

* Maximum Allowable Working Pressure at which the product can constantly operate at.

** Maximum pressure that can be applied for leak testing without causing damage to the product.

[^] It is recommended that the breakaway is re-kitted on or before the maximum usage duration or cycles, whichever happens first, to ensure it remains leak tight. The temperature's and cycles stated depend on the system conditions and may not be achievable in all situations. Contact Oasis for further information.