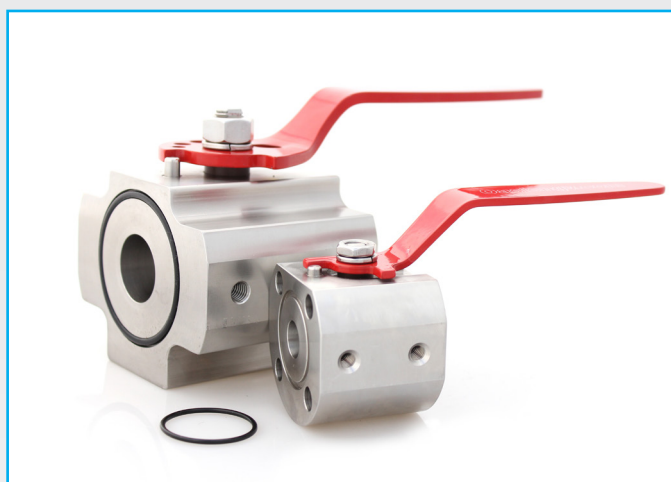




100 Series Sandwich Valve with Handle

Applications

Dispenser Manifolds, Priority Panels, Emergency Isolation and applications where easy service is required. Suitable for CNG, Hydrogen, Helium, Bio-Gas, Nitrogen, Air and other gases on request.



SV108 /SV104 - Sandwich Valves

Materials

Item	Description	Material
1	Valve Body	304 Stainless Steel
2	Valve Cap	304 Stainless Steel
3	Seat	Delrin
4	Ball	316 Stainless Steel
5	Stem	316 Stainless Steel
6	Thrust	Delrin

Item	Description	Material
7	O-rings	Nitrile
8	O-ring Backup	Nitrile
9	Gland	Delrin
10	Locking Tab	304 Stainless Steel
11	Half Nut	304 Stainless Steel
12	Sealing Surface O-ring	Nitrile

Product Information

Service kits are easily installed and readily available.

All products are manufactured under ISO 9001:2008 accredited standards.

Custom handle options available on request.

3/4" valve tested to NGV 4.6 option available on request.

CRN OC 19297.512346789OYTN.

Complies to PED 2014/68/EU.

More product information available online at www.OasisNGV.com/resources.

Features & Benefits

Designed for manifold or valve applications where minimizing service down time is critical.

Bolt-in, quick change design which fits into a manifold or uses end caps for your flow control requirements.

Using the proven Oasis floating ball technology the sandwich valve cycles for longer than any other known CNG ball valve.

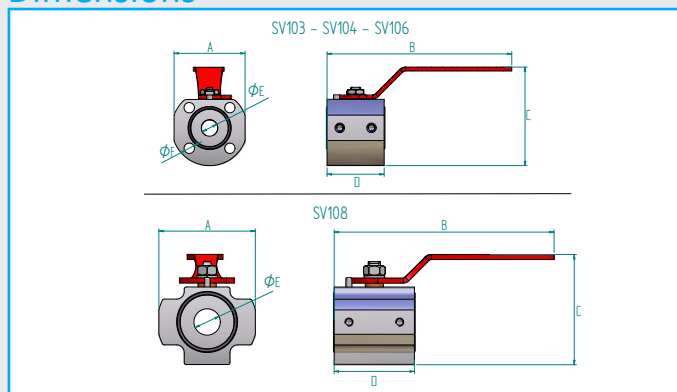
Oasis can create manifolds to your specifications. Talk to Oasis, Engineer to Engineer to craft a solution for you.

Actuated options also available.



100 Series Sandwich Valve with Handle

Dimensions



Dimensions (mm)

Part Code	Size	A	B	C	D	Ø E	Ø F
SV103-4O6SDDN-1000	3/8"	50	143	74	39	10	9
SV104-4O06LDDN-1000	1/2"	56	146	78	45	13	8.2
SV106-4O06LDDN-1000	3/4"	77	211	103	67	20	12.5
SV108-4O06LDDN-1000	1"	95	217	109	79	26	N/A

Product Specifications

Part Code	Mass lb (kg)	Min. Operating Pressure bar (psi)*	Max. Operation Pressure bar (psi)**	Min. Temp. °F (°C)	Max Temp. °F (°C)	Stem Open Torque ft-lb Nm	Cycles Before Rekit ^	Cv	Service Kit ^^
SV103-4O6SDDN-1000	1.3 (0.6)	34.5 (500)	(410) 6000	-40 (-40)	185 (85)	2.2 (3)	100,000	9.3	SV103-SK6SDDN
SV104-4O06LDDN-1000	1.7 (0.8)	0.5 (7)	(410) 6000	-40 (-40)	185 (85)	10.3 (14)	100,000	12.3	SV104-SK6LDDN
SV106-4O06LDDN-1000	6.2 (2.8)	0.5 (7)	(410) 6000	-40 (-40)	185 (85)	22.8 (31)	100,000	31	SV106-SK6LDDN
SV108-4O06LDDN-1000	7.7 (3.5)	0.5 (7)	(410) 6000	-40 (-40)	185 (85)	32.4 (44)	100,000	44.5	SV108-SK6LDDN

* Minimum system pressure the product will hold constant bubble tight seal.

** Maximum pressure at which the product can constantly operate at.

^ It is recommended that the sandwich valve is re-kitted on or before the maximum number of allowable cycles.

^^ Delrin / Nitrile service kit

Service Tool

Tool required to complete servicing of sandwich valve. Designed to fit in a 3/4" or 1" socket for easy removal and installation.

Product Information

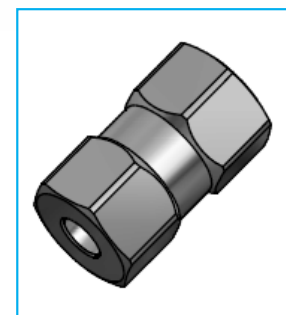
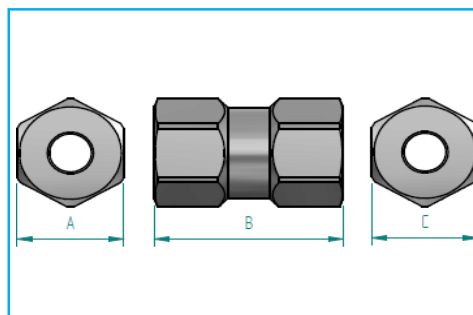
Made from 316 Stainless Steel.

Sold Separately.

Tightening torque stamped on body.

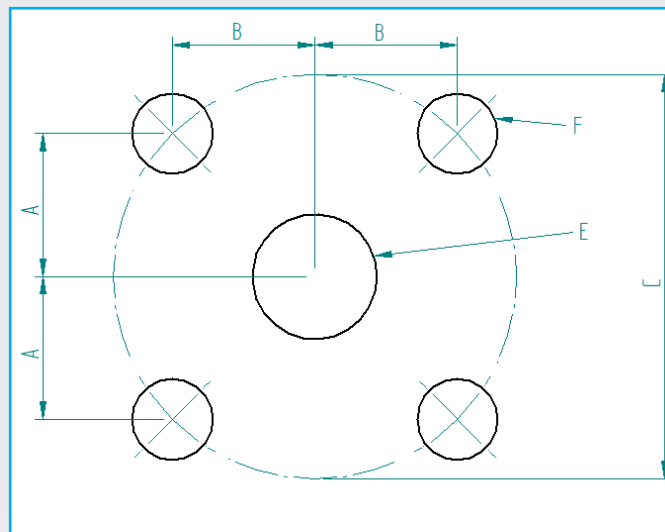
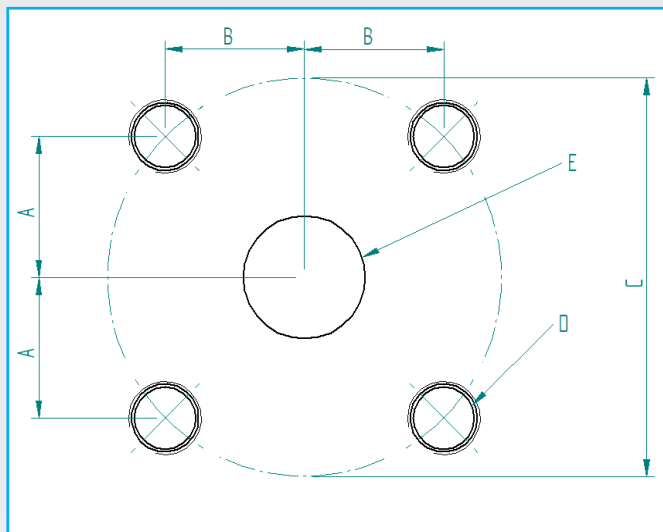
Dimensions: Imperial (mm)

Part Code	A AF	B	C AF
TOOL-SV106	.79" (19.9)	1.57" (40)	.75" (19)
TOOL-SV108	1" (25.4)	1.77" (45)	1" (25.4)





100 Series Sandwich Valve with Handle



SV100 Series threaded manifold surface recommended dimensions.

SV100 Series through hole manifold surface recommended dimensions.

Dimensions (mm)

Part Code	A	B	Ø C	Ø D(Thread - 4x bolt holes)	Ø E(ports)	Ø F (Through Holes)	G (Surface finish)*
SV103	14.9 14.8	14.9 14.8	42	M8	10 (3/8")	9	0.8 Ra Max
SV104	16.05 15.95	16.05 15.95	45.25	M8	13 (1/2")	9	
SV106	23.03 22.93	23.03 22.93	65	M12	20 (3/4")	12.5	
SV108	30.1 30	30.1 30	85	M12	26 (1")	12.5	

* This surface finish on the sealing face is required for optimum sealing

The dimensions given are dimensions of the manifold mounting surface, for use with Oasis SV100 Series Sandwich Valves. Manifold design, including strength considerations and adherence to relevant standards, as well as testing and certification of the manifold, are the responsibility of the manifold designer.

Dimensions (mm)

Part Code	Recommended bolt class	Recommended Bolt size
SV103	Class 12.9	M8 x 70
SV104	Class 12.9	M8 x 70
SV106	Class 12.9	M12 x 100
SV108	Class 12.9	M14 x 120

It is recommended to apply Soft Seal to head of cap screws to avoid surface rusting.