



Swaged Hosetails

Applications

Ideal for Safe Hygienic Weld-in situations.



Swaged Hosetails

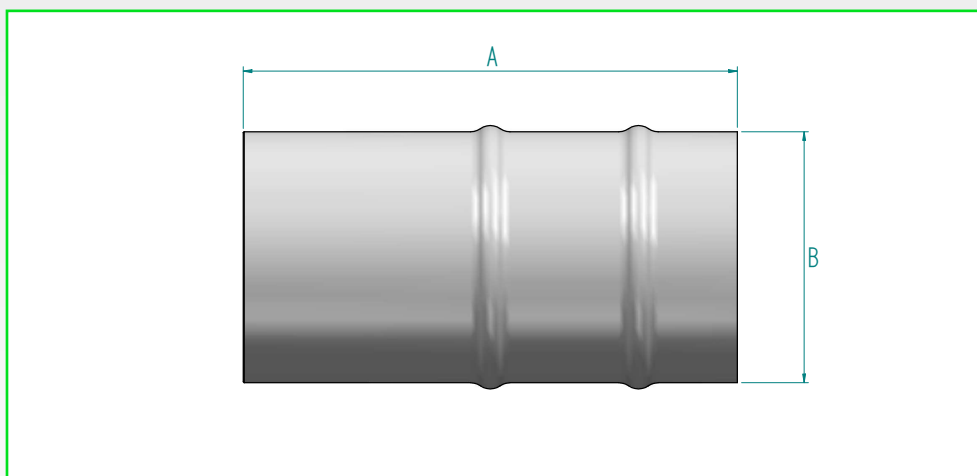
Features & Benefits

Oasis Swaged Hosetails are manufactured from certified 316 Stainless Steel Tube.

Available ex-stock with machined ends for weld in applications.

Hosetails can also be ordered as an assembly with RJT and Triclover fittings welded on in-house.

All products are manufactured under ISO 9001 accredited standards.



Dimensions (mm)

Part Code	Size	A	Ø B	Conection
SSH025-TWE	1"	100	25.4	Weld End
SSH038-TWE	1 1/2"	100	38.1	Weld End
SSH050-TWE	2"	100	50.8	Weld End
SSH363-TWE	2 1/2"	100	63.5	Weld End
SSH076-TWE	3"	100	76.2	Weld End
SSH100-TWE	4"	100	101.6	Weld End