



Hydraulic Check Valve



Hydraulic Check Valves 200 Series

Materials

Item	Description	Material
1	Body	316 Stainless Steel
2	Cap	316 Stainless Steel
3	Poppet Body	316 Stainless Steel
4	Poppet Seal	VITON O-Ring
5	Poppet Retainer	316 Stainless Steel
6	Cap O-Rings	VITON
7	Poppet Spring	302 Stainless Steel

Features & Benefits

Stainless steel two-piece, serviceable check valve that sets the standard in flow rate.

Precision manufactured from certified bar stock, ensuring endurance and reliability in any application.

Suited to rapid, high frequency pulsing flow.

Easy to install service kits are readily available.

Product Information

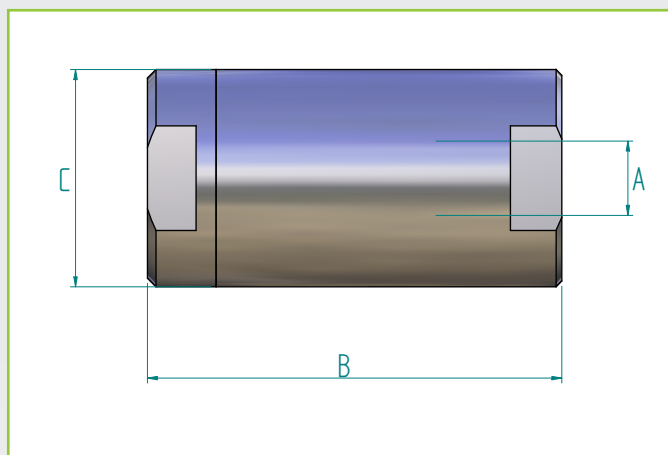
BSP female thread is standard configuration.

BSP threads conform to ISO 228.

All products are manufactured under ISO 9001 accredited standards.



Hydraulic Check Valve



Dimensions (mm)

Part Code	Size	Bore A	Length B	Diameter C
CV203-6BHSV	3/8"	9	58	31.5

Product Specification

Part Code	Mass kg (lb)	Min. Crack Pressure psi (bar) *	Min. Re-seal Back Pressure psi (bar) **	Max. Operating Pressure psi (bar) ^	Min. Temp. °C (°F)	Max. Temp. °C (°F)	Thread Type	Service Kit Ordering Number
CV203-6BHSV	0.27	2 (0.1)	7 (0.5)	6000 (410)	-20 (-4)	200 (392)	3/8" BSP	CV203-SKHSV #

* Minimum upstream pressure at which the valve will operate.

** Minimum back pressure at which to re-seal check valve.

^ Maximum pressure at which the product can continuously operate at.

For CV203-6BHSV use CV203-DSSK for dairy specific applications.