



BV700 Series

Ball Valve with Vent NPT

Instruction Manual

▲ WARNING

Failure to follow these instructions or to properly install and maintain this equipment could result in gas leakage, fire or explosion causing property damage and personal injury or death.

Oasis products must be installed, operated and maintained by trained and competent personnel in accordance with all applicable local codes, rules and regulations in addition to the Oasis Instructions.

Oasis Engineering Ltd. will not be held liable in such circumstances where installation, operation and maintenance procedures were performed by incompetent personnel resulting in improper assembly, unsafe operation, equipment damage or personal injury.

Oasis recommends that all service technicians should watch the Product Servicing Video before attempting to service this part.



Servicing Video

Oasis Engineering Ltd
129 Birch Avenue, Tauranga, New Zealand.
T: +64 7 928 3808
E: info@oasisngv.com
W: www.OasisNGV.com



Instruction Manual

Warning!

High pressure gas and gas equipment can cause serious harm to both infrastructure and personnel if safety precautions are not followed.

Oasis recommends considering the use of the following PPE when working with high pressure along with any other site specific health and safety requirements:



Foot Protection



Hearing Protection



Safety Helmets



Hand Protection

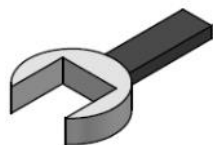


Safety Glasses



Ensure the system is clean of debris, vented and isolated before any installation or servicing work is carried out.

Tools Required



Spanner
(Wrenches)



Spray bottle
(Snoop or soapy water)

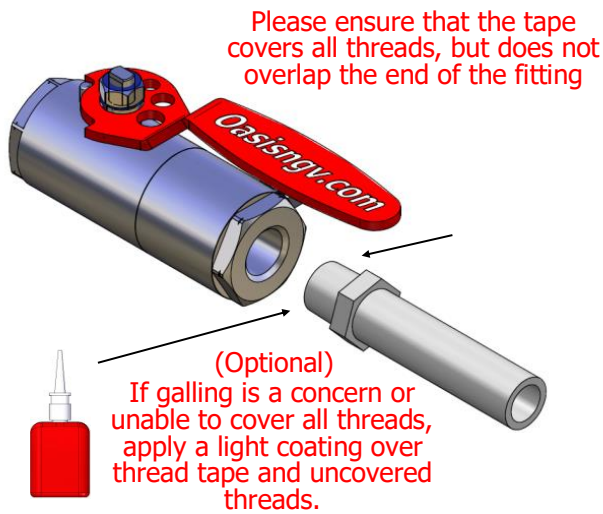


Yellow, Gas Rated, PTFE Thread Tape
- AW TITASEAL
- McMaster-Carr High-Density Thread Sealant Tape
- Blue-Monster gas-guard
- Or Similar

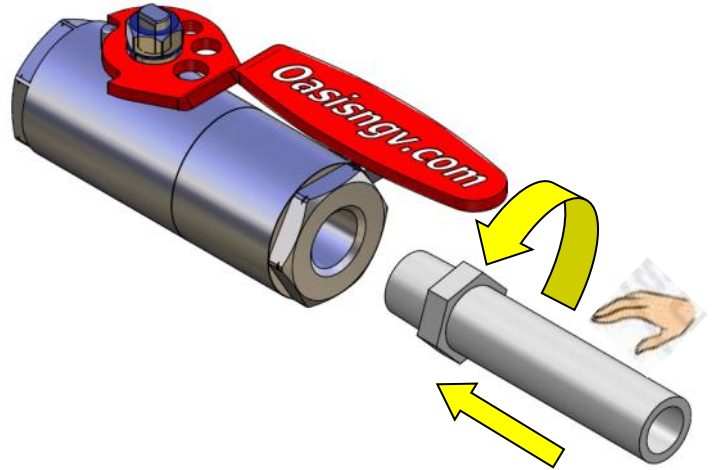


Anaerobic Thread Sealant
with PTFE (Optional)
- Loctite 567
- Swagelok SWAK
- Herson Dripstop 940
- Gasoila FasSeal-ATS
- Or Similar

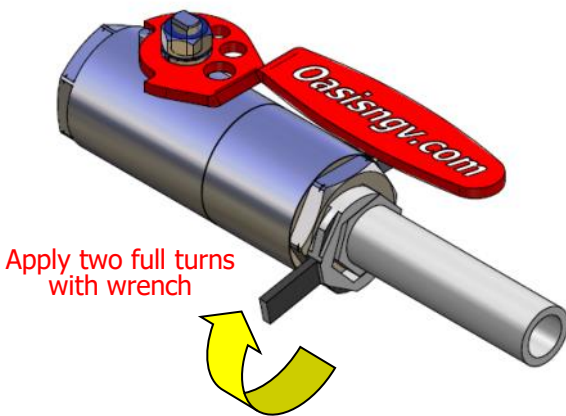
1. Apply thread tape and thread sealant.



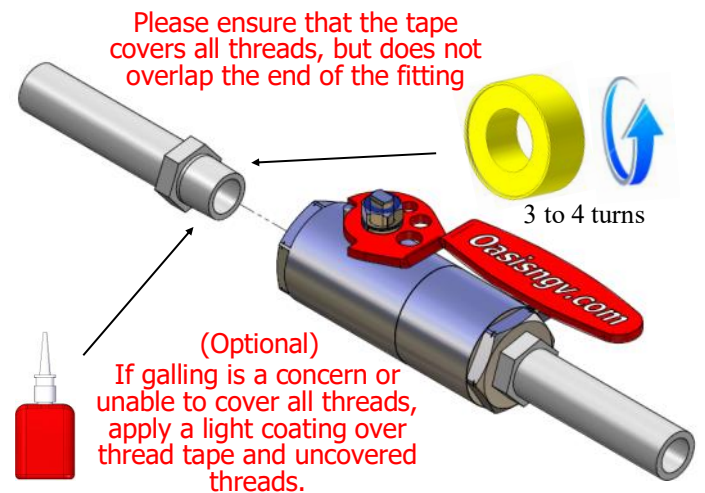
2. Tighten by hand.



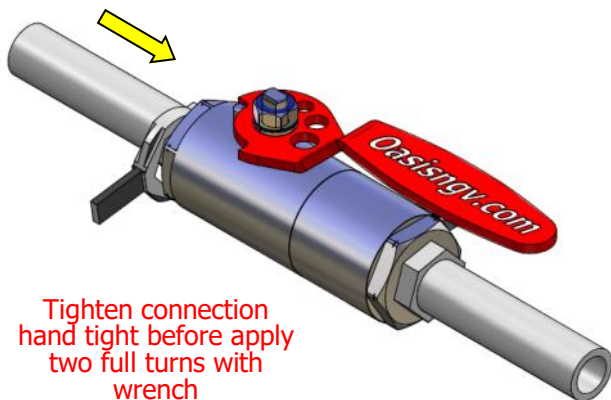
3. Tighten connection.



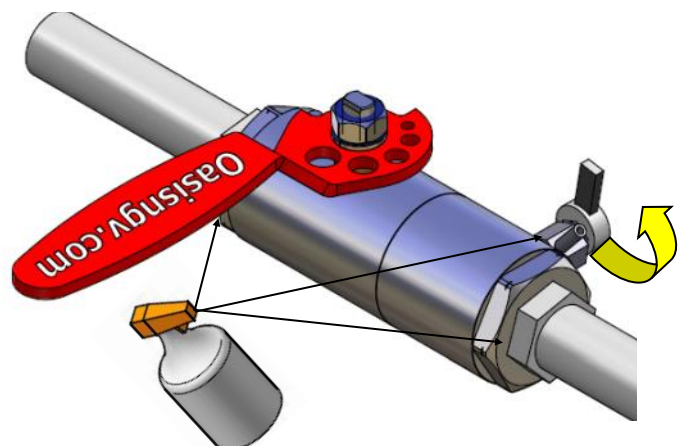
4. Apply thread tape and thread sealant.



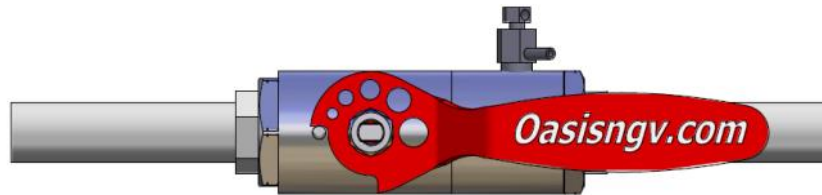
5. Join and tighten the connection



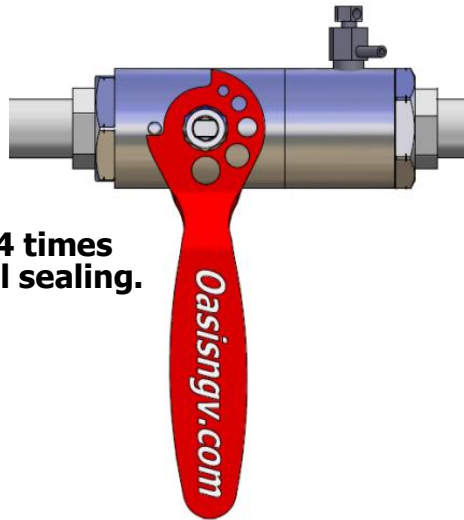
6. Complete, check the connections for leakage on first use.



1. Opened.

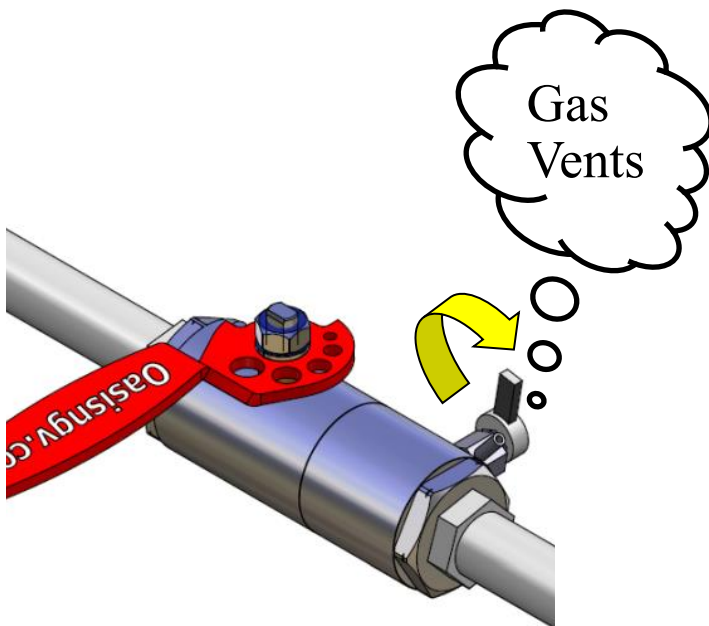


2. Closed.

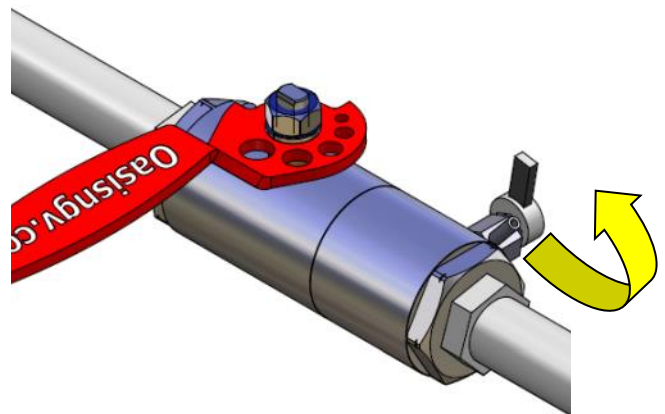


Important: Actuate valve 4 times
before use to ensure initial sealing.

3. Open vent and vent gas.



4. Close vent when all gas is vented.



Service Kit Parts

2 x Seats[^]



1 x Stem



1 x Ball**



1 x Gland



1 x Silicone



1 x Cap O-ring



1 x Locking Tab*



1 x Cap Backup O-ring



* only used when servicing actuated ball valves.

**It is normal for the service kit to include a ball with a small hole in the bottom.

[^] For low pressure service kits, seats will be supplied with an O-ring installed.

The Complete Oasis Seal Kit must be used

Tools Required



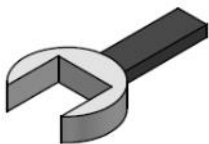
Cleaner (Warm Soapy
Water or Similar)



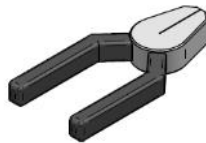
Pick Tool
Part Number:
TOOL-PICK
(Sold separately)



Anti Seize Grease
(Loctite 771 or Similar)
For All Threads



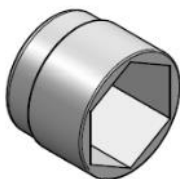
Spanner
(Wrenches)



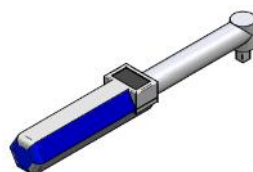
Pliers



Oasis Plastic Tool
Part Number:
TOOL-BVASSY
(Sold separately)
or Similar



Sockets



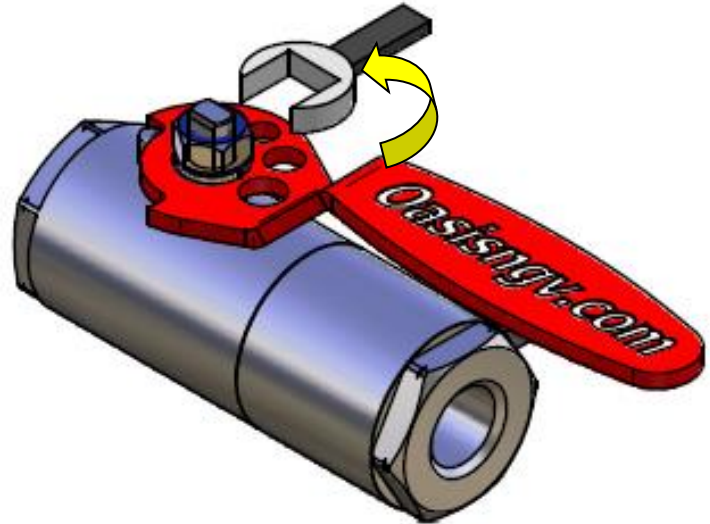
Torque Wrench

1. Ensure system is completely vented and remove the valve.

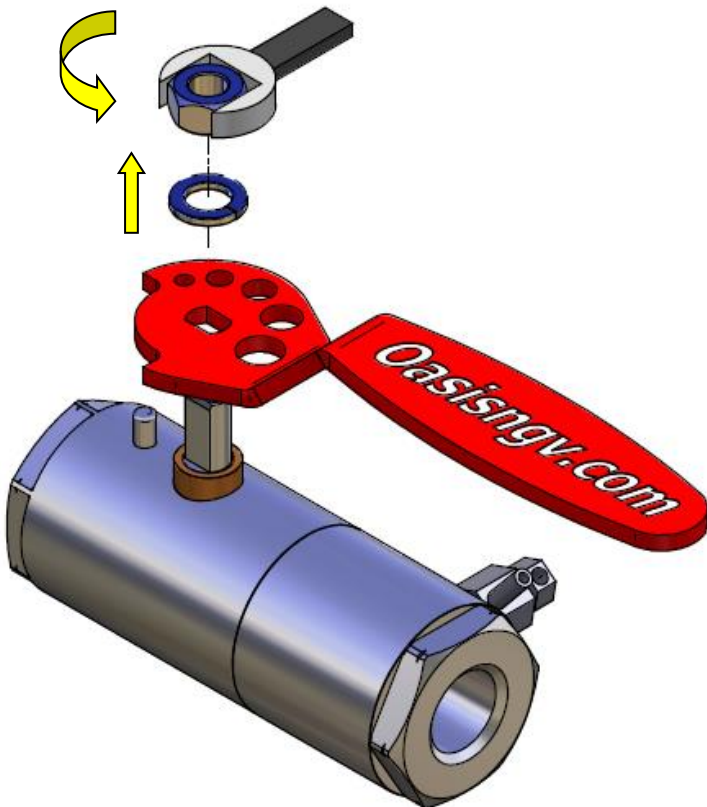


With the valve removed open and close valve to ensure all trapped gas is released

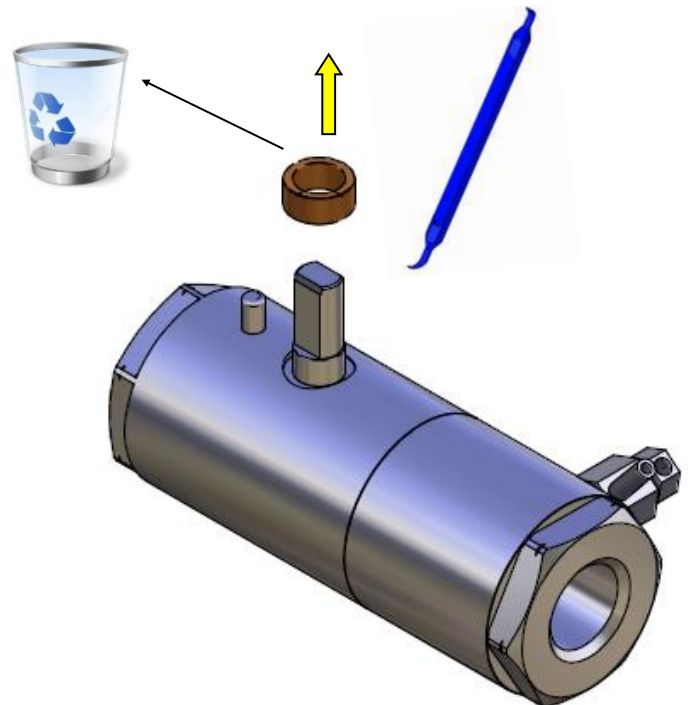
2. Undo handle nut.



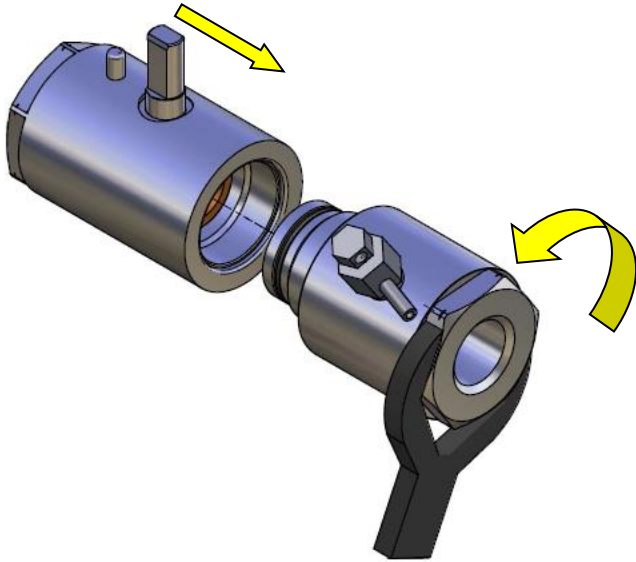
3. Remove handle.



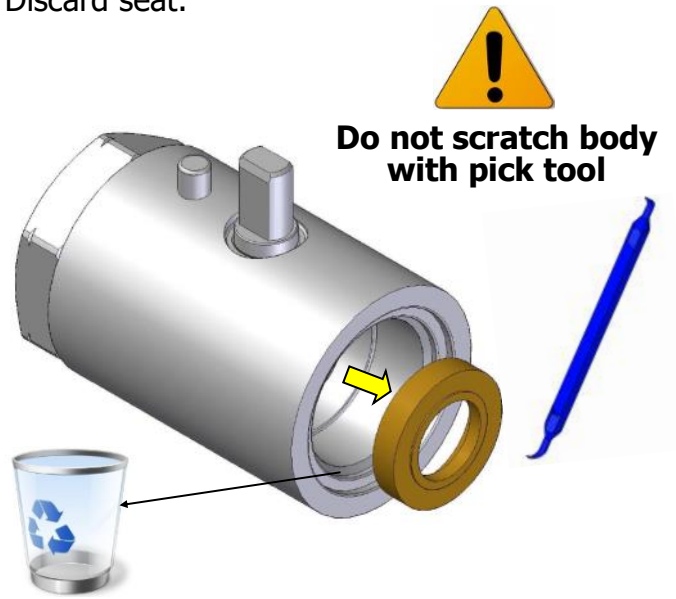
4. Discard gland.



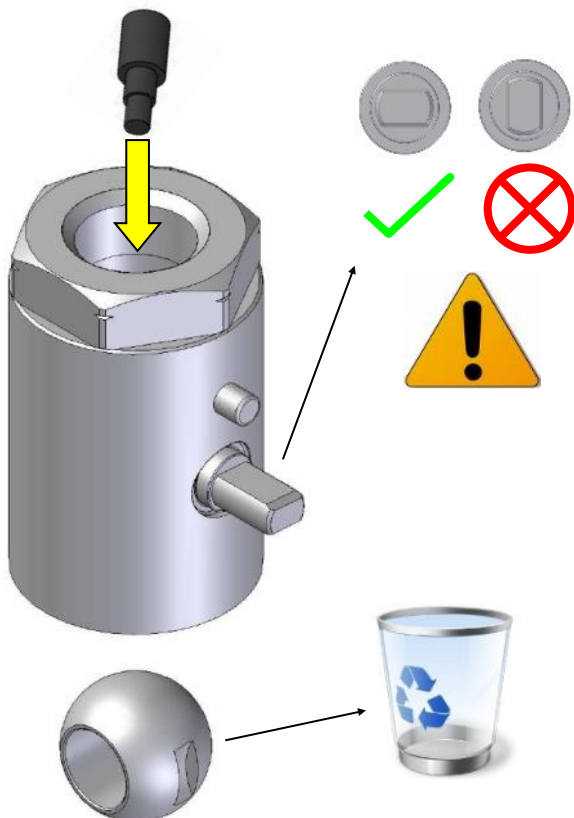
5. Remove end cap.



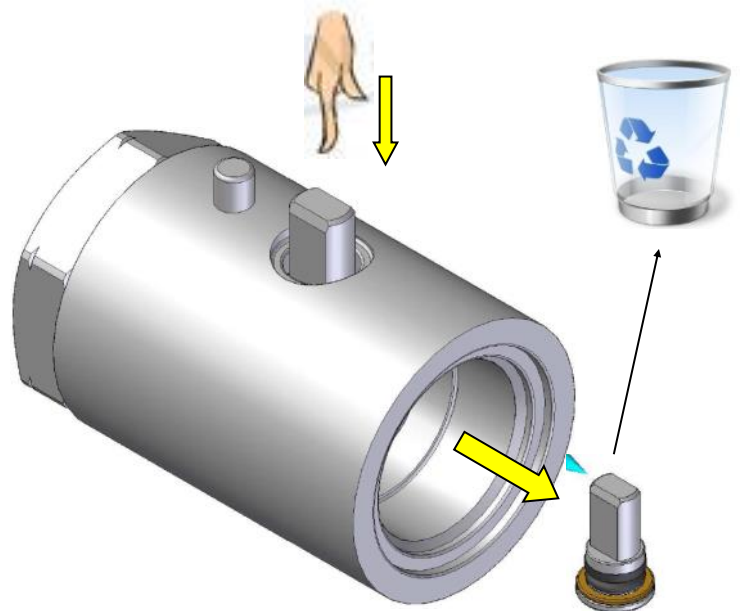
6. Discard seat.



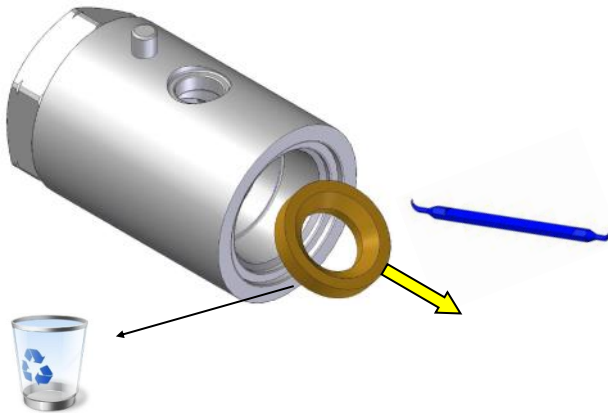
7. Remove and discard ball.



8. Remove and discard stem.



9. Remove and discard second seat.

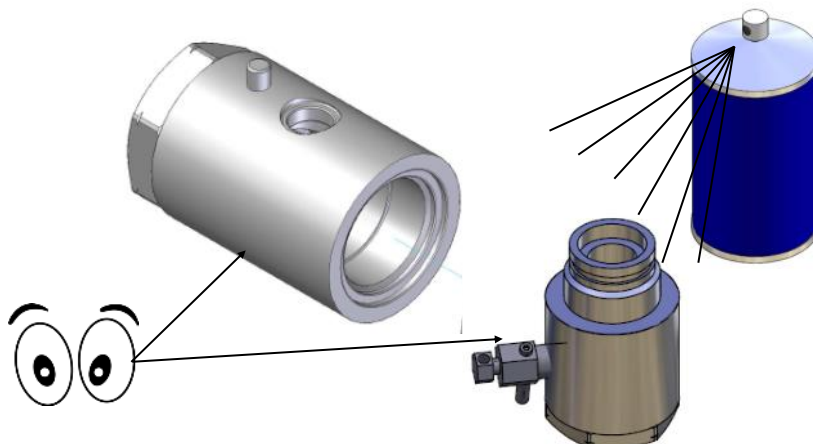


**Do not scratch body
with pick tool**

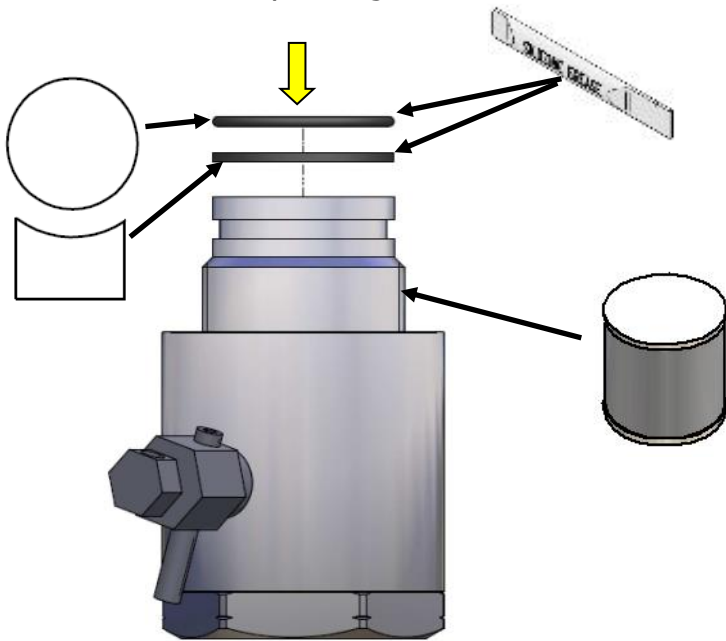
10. Remove Cap O-ring/backup and discard.



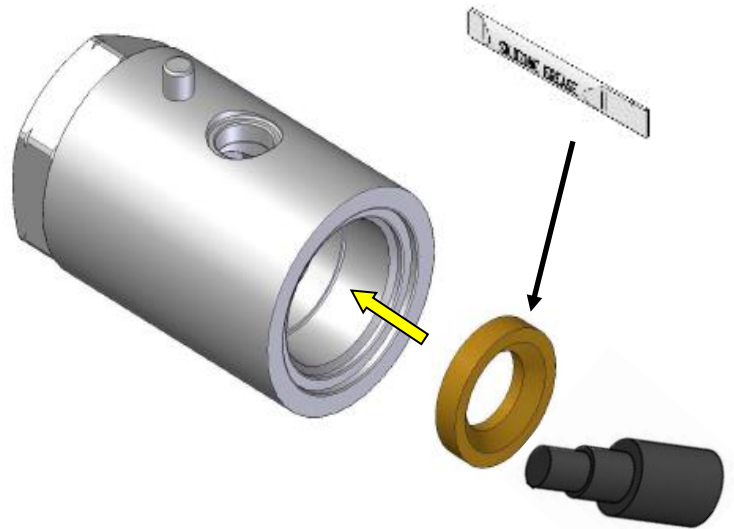
11. Clean body and end cap. Visually check parts for damage.



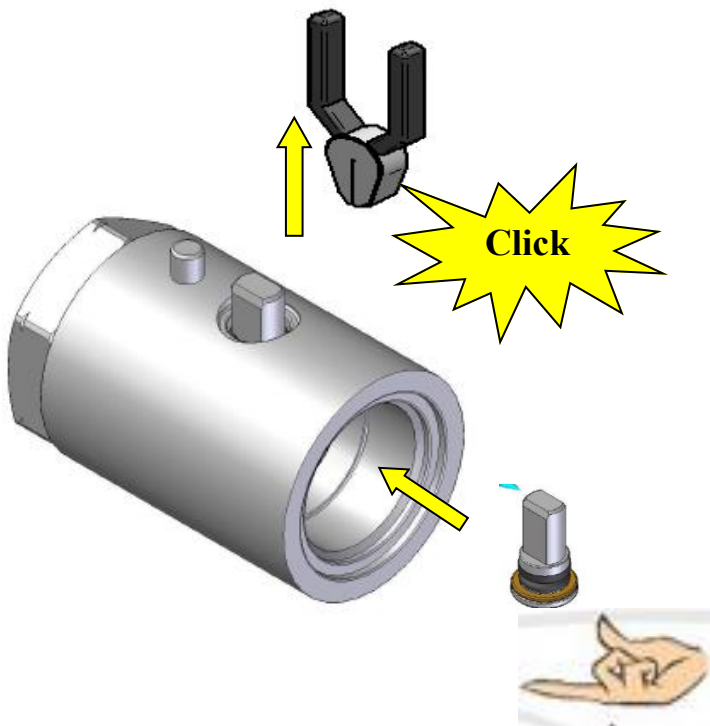
1. Fit new end cap O-rings.



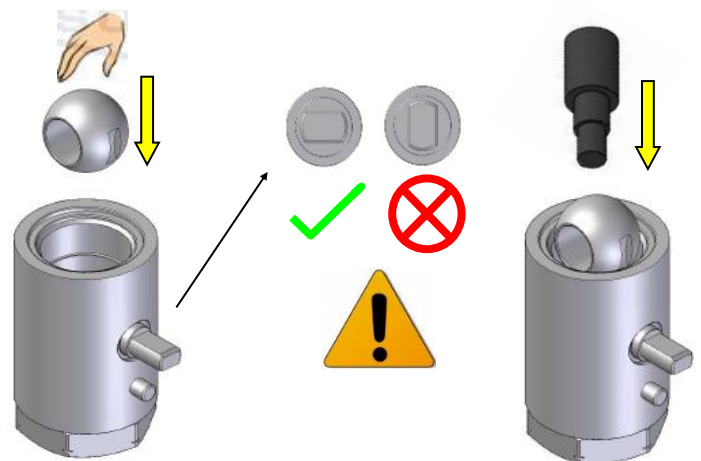
2. Apply silicone grease to new seat and install. Take care not to pinch O-ring when installing low pressure seat.



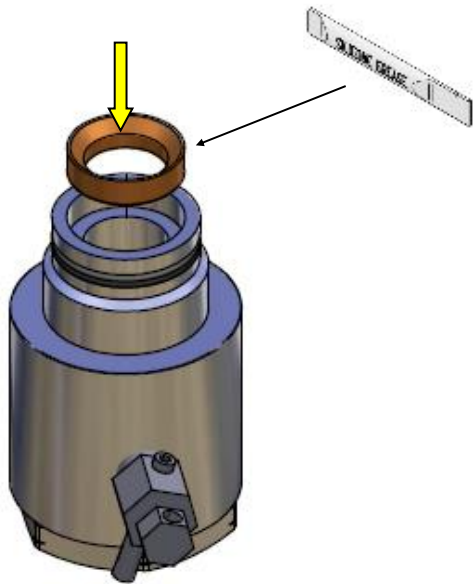
3. Insert the stem assembly.



4. Insert the ball.



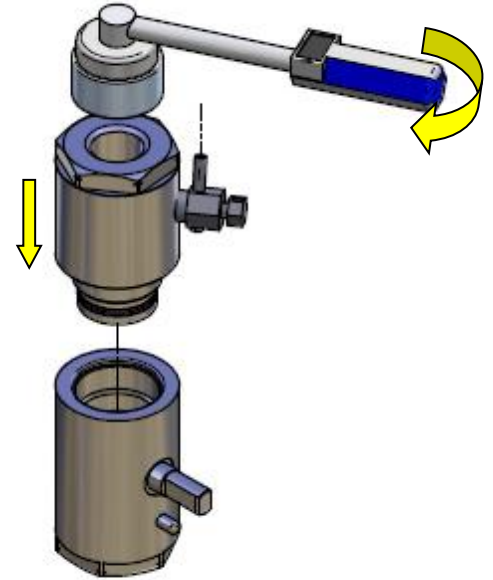
5. Apply silicone grease to new seat and install into end cap. Take care not to pinch O-ring when installing low pressure seat.



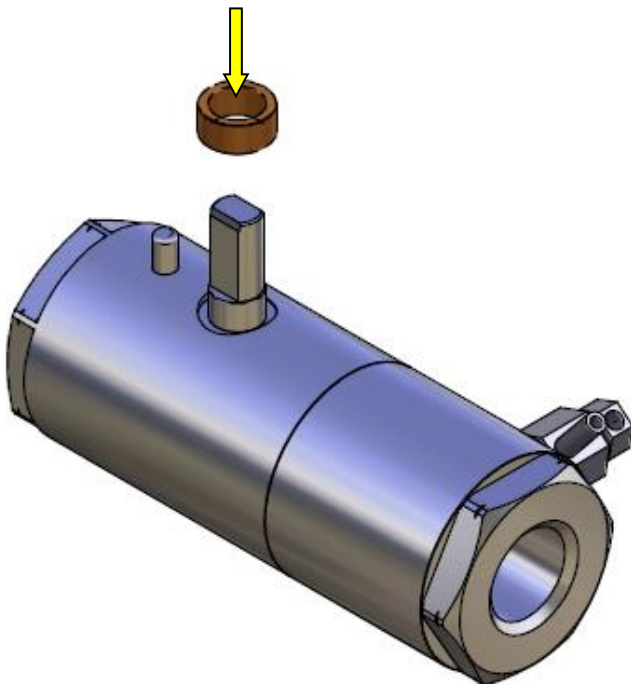
6. Torque the end cap into the body.

**Recommended
End Cap Torque:**

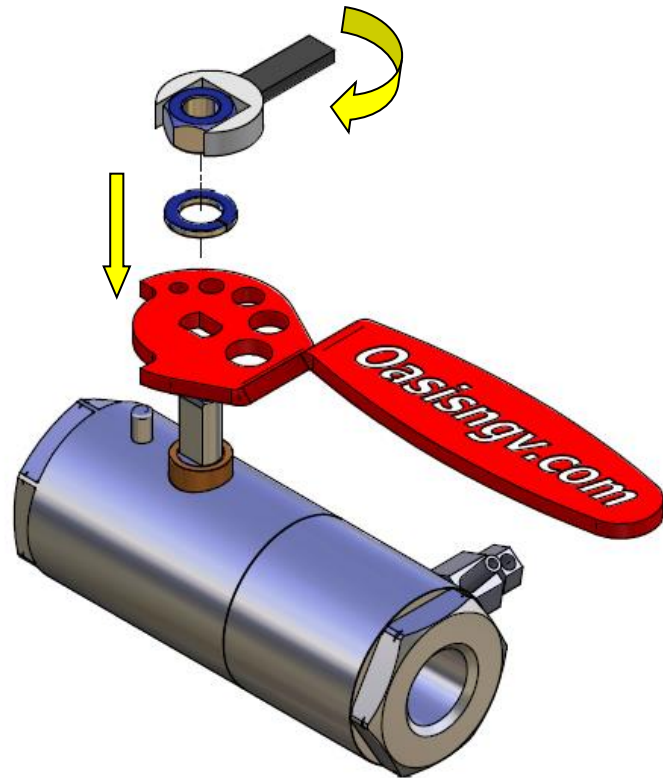
**BV706 = 120 Nm
BV708 = 120 Nm**



7. Install gland.



8. Install handle, spring washer and nut.

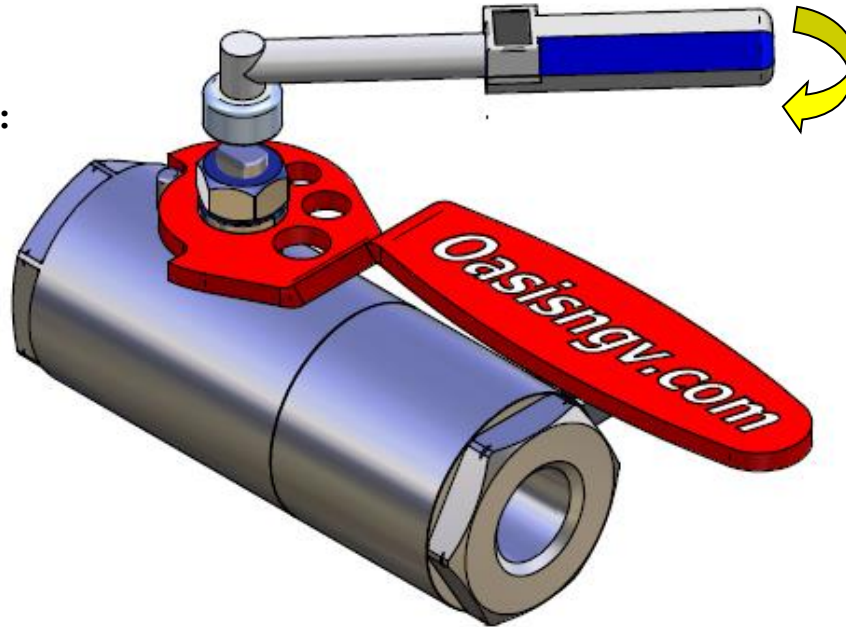


9. Torque the stem nut.

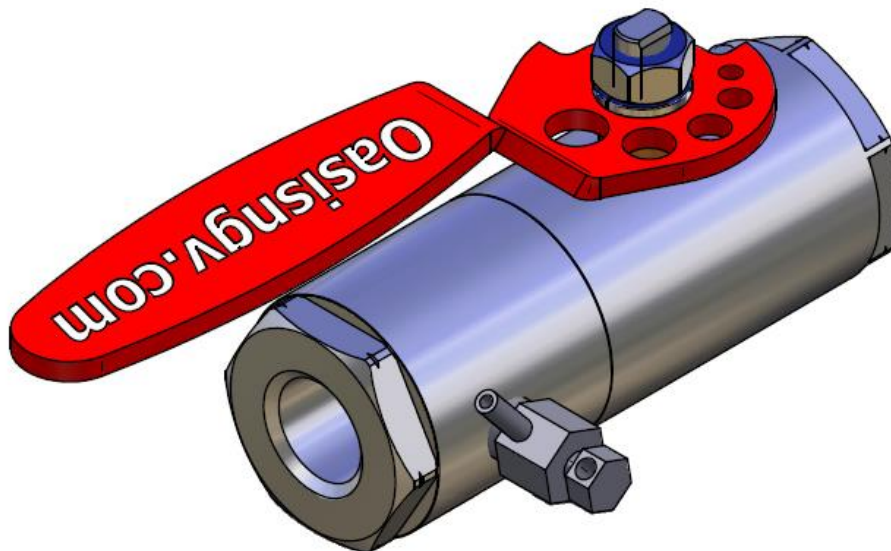
**Recommended
Handle Nut Torque:**

BV706 = 6 Nm

BV708 = 6 Nm



10. Re-install as per the instruction on page 3, leak test on first re-use.



Important: Actuate valve 4 times before use to ensure initial sealing.