



100 Series 45° Fill Valve

Application

CNG and Bio-Gas Dispensers for Car, Bus and Truck filling & CNG Bio-Gas Trailer load/unload systems.



FV103-4-00A-0 45° Fill Valve

Materials

Item	Description	Material
1	45° Valve Body	6061 Aluminium
2	Valve Caps	304 Stainless Steel
3	Seats	Delrin
4	Balls	316 Stainless Steel
5	Stems	316 Stainless Steel
6	Thrusts	Delrin
7	Glands	Delrin

Item	Description	Material
8	Stem O-rings	Nitrile
9	Stem Backup	Nitrile
10	Cap & Seat O-rings	Nitrile
11	Spring Washers	304 Stainless Steel
12	Stem Nuts	304 Stainless Steel
13	Valve Handle	304 Stainless Steel
14	Handle Sleeve	Black Urethane

Product Information

All products are manufactured under ISO 9001 accredited standards.

The FULL FLOW design means more gas is dispensed faster to the vehicle, maximising the number of vehicle fills per day and minimising wasted gas.

Complies to PED 2014/68/EU

Port adaptors are required to attached a nozzle and are available on request. Minimum order quantity may apply.

Features & Benefits

The Oasis full flow fill valve redefines the flow rate standard for NGV gas delivery.

Intuitive fill valve operation.

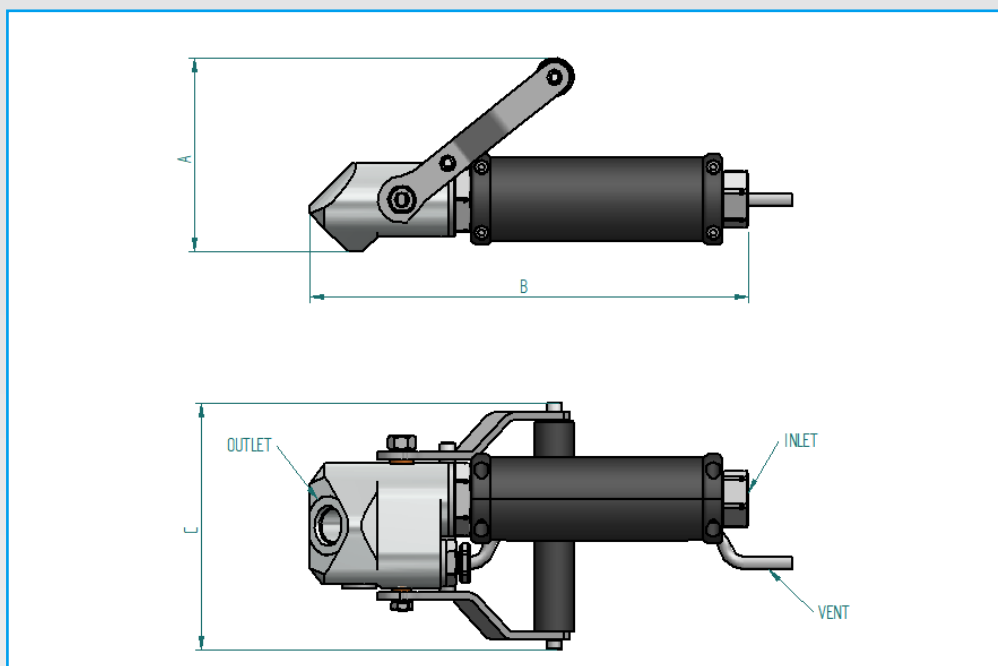
All Oasis fill valves are easily serviced in the field using Oasis's product specific service kits.

Adaptors are available to extend the position of the nozzle.

Video servicing instructions available online at oasisngv.com/resources



100 Series 45° Fill Valve



Dimensions Inch (mm)

Part Code	Size	A	B	C	Vent	Inlet	Outlet
FV103-4-00A-0	3/8"	4.0 (101)	8.9 (227)	5.0 (128)	1/4" Tube	3/4 - 16 SAE	3/4 - 16 SAE

Product Specification

Part Code	Mass lb (kg)	Min. Operating Pressure psi (bar) *	MAWP psi (bar) **	Min Temp °F (°C)	Max Temp. °F (°C)	Stem Open Torque ft-lb (Nm)	Cycles Before Rekit ^	Cv +	Fill Valve Service Kit
FV103-4-00A-0	2.9 (1.3)	7 (0.5)	4532 (312.5)	-40 (-40)	185 (85)	3.7 (5)	100,000	3.1	FV103-SKDN

* Minimum system pressure the product will hold constant bubble tight seal.

** Maximum Allowable Working Pressure, the maximum pressure at which the product can constantly operate at.

^ It is recommended that the fill valve is re-kitted on or before the maximum number of allowable cycles.

+ Tested in accordance with ANSI/ISA 75.02.01:2008



100 Series 45° Fill Valve

Fill valve Service Kits

All wearing components are available for replacement with original Oasis service kits

FV103-SKDN

Fill valve service kit for sealing components, recommended to be replaced on or before the maximum cycles before re-kit as identified in product specifications.



FV103-72

Fill valve handle replacement kit, to be replaced as required



FV103-34

Fill valve 2 piece handle sleeve, to be replaced as required

