



HC308

Ultra Fast Fill Quick Coupler Female SAE Male Thread Instruction Manual

▲ WARNING

Failure to follow these instructions or to properly install and maintain this equipment could result in gas leakage, fire or explosion causing property damage and personal injury or death.

Oasis products must be installed, operated and maintained by trained and competent personnel in accordance with all applicable local codes, rules and regulations in addition to the Oasis Instructions.

Oasis Engineering Ltd. will not be held liable in such circumstances where installation, operation and maintenance procedures were performed by incompetent personnel resulting in improper assembly, unsafe operation, equipment damage or personal injury.

Oasis recommends that all service technicians should watch the Product Servicing Video before attempting to service this part.

Oasis Engineering Ltd
129 Birch Avenue, Tauranga, New Zealand.
T: +64 7 928 3808
E: info@oasisNGV.com
W: www.OasisNGV.com



Warning!

High pressure gas and gas equipment can cause serious harm to both infrastructure and personnel if safety precautions are not followed.

Oasis recommends considering the use of the following PPE when working with high pressure along with any other site specific health and safety requirements:



Foot Protection



Hearing Protection



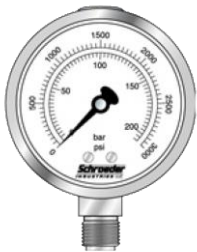
Safety Helmets



Hand Protection



Safety Glasses



Ensure the system is clean of debris, vented and isolated before any installation or servicing work is carried out.

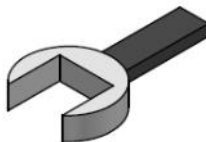
To help with coupling in cold conditions



Interflon Fin Super (Aerosol) or a similar product

If coupler is hard to uncouple due to cold temperature icing, spray both male & female coupling faces with Interflon Fin Super (aerosol) or a similar product to help with ease of uncoupling in cold conditions.

Tools Required



Spanner (Wrench)
- Size: 60 mm

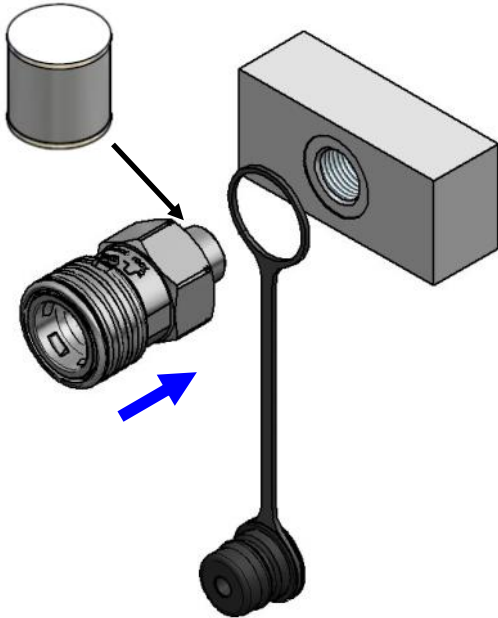


Spray bottle
(Snoop or soapy water)



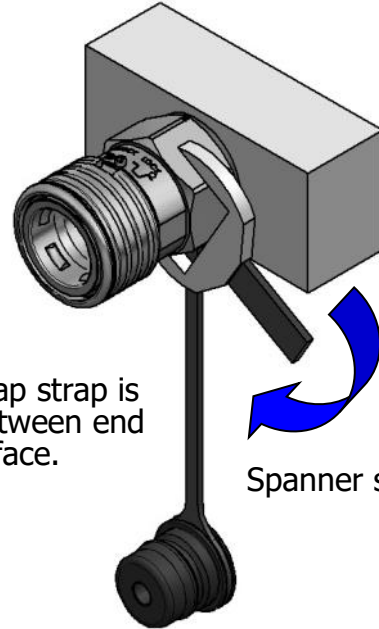
Anti Seize Grease
- Swagelok Silver Goop
- Omega 99
- or similar

1. Apply never seize to SAE thread and screw coupler into port. Ensure dust cap strap is around body.



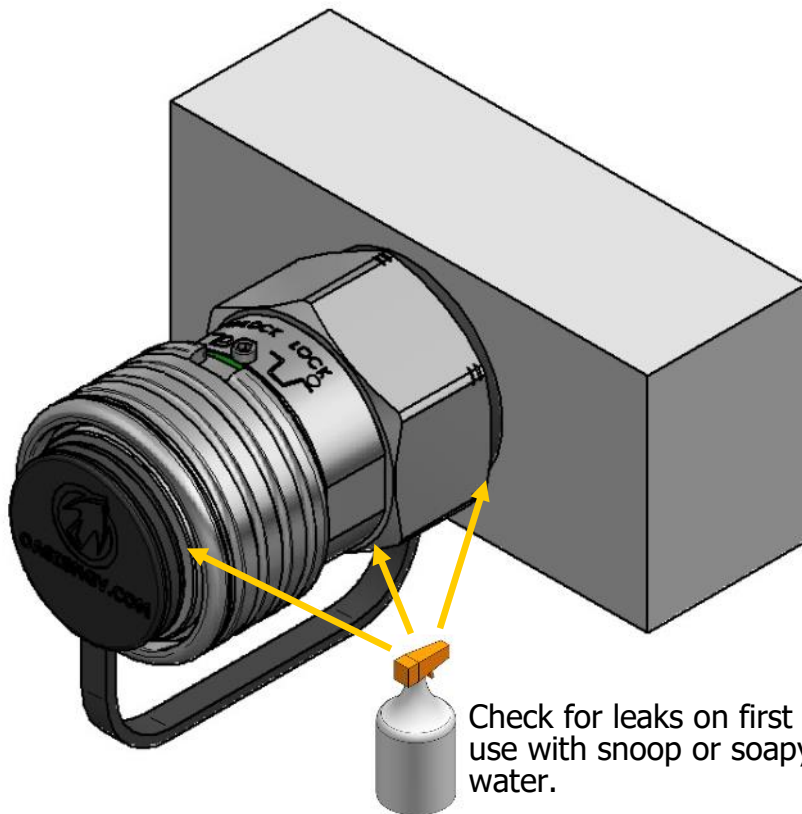
2. Tighten connection to 180 Nm (132.8 ft lb).

Ensure dust cap strap is not caught between end cap and spot face.



Spanner size: 60 mm

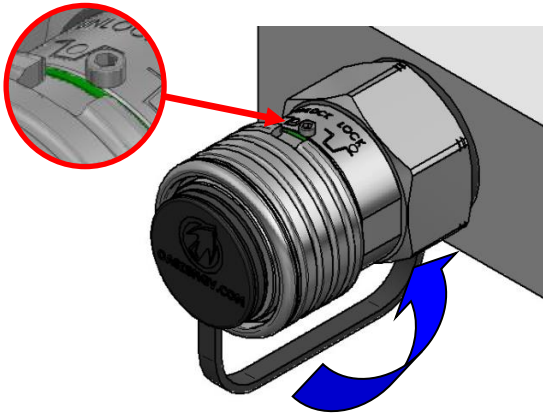
3. Installation complete. Put dust cap over coupler when not in use.



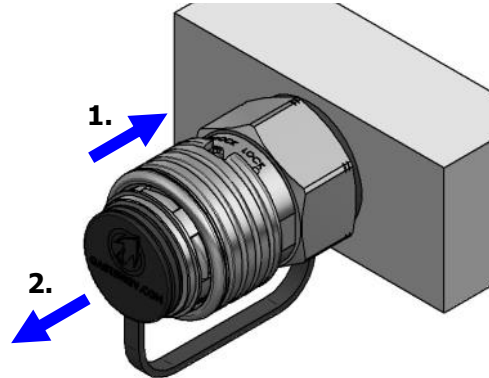
Check for leaks on first use with snoop or soapy water.



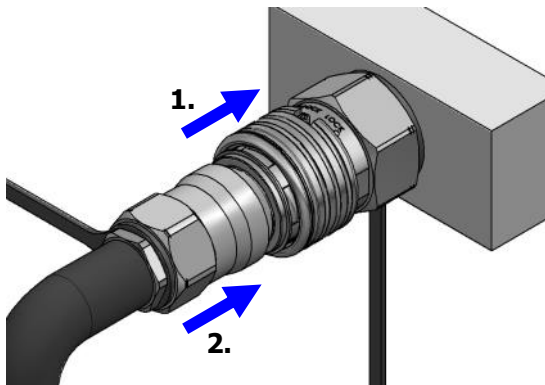
1. Align notch in sleeve with locating screw.



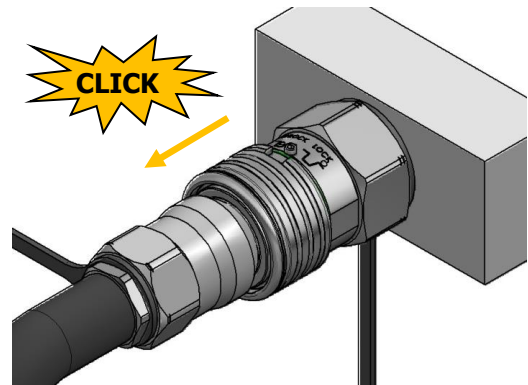
2. Pull back sleeve and remove dust cap.



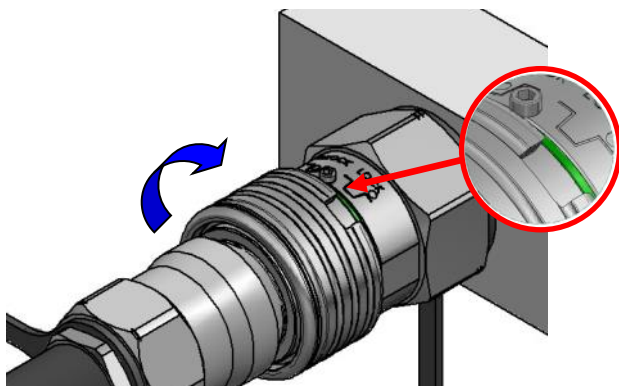
3. Remove dust cap from male fitting, pull back sleeve from female and push male into female.



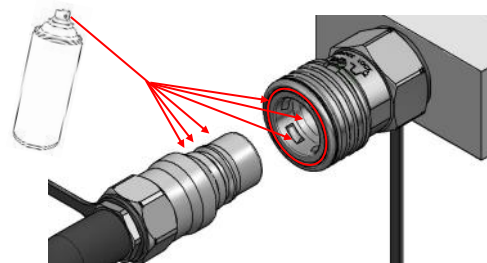
4. Sleeve should click forward into place.



5. If successfully coupled, the green ring behind the sleeve will be visible. Twist the sleeve and check that coupling is locked in place.

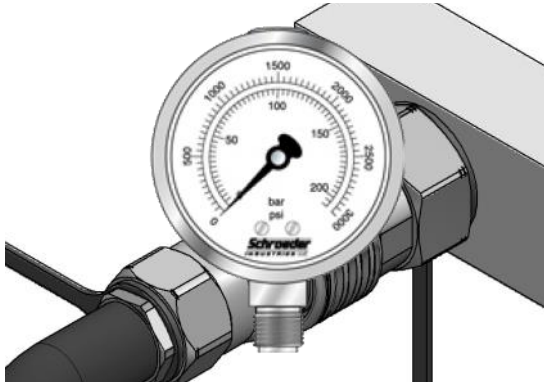


6. Apply pressure to begin using the Device.

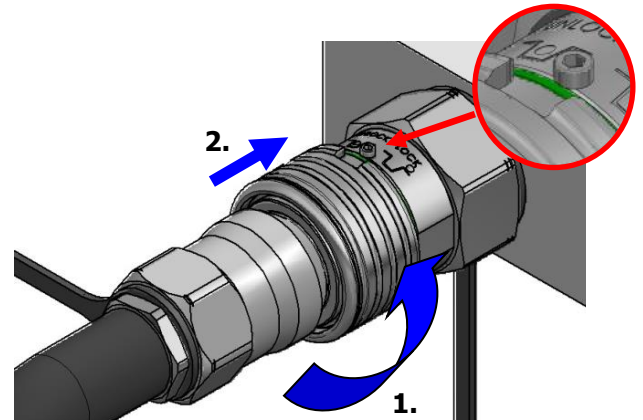


If coupler is hard to uncouple due to cold temperature icing, spray both male & female coupling faces with Interflon Fin Super (aerosol) or a similar product to help with ease of uncoupling in cold conditions.

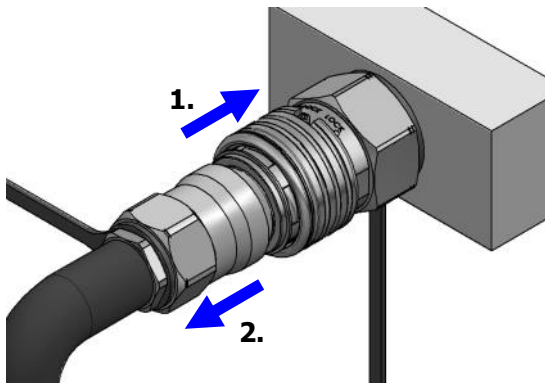
1. Make sure the system is depressurized



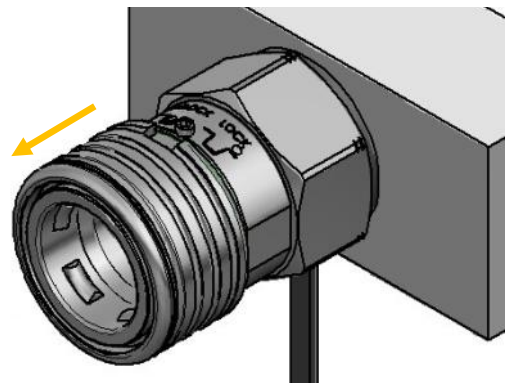
2. Align notch in sleeve with locating screw and pull back the sleeve.



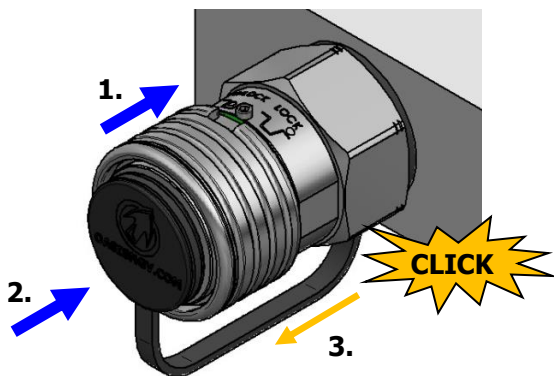
3. Pull back sleeve from female and pull out the male fitting. Put dust cap on male fitting.



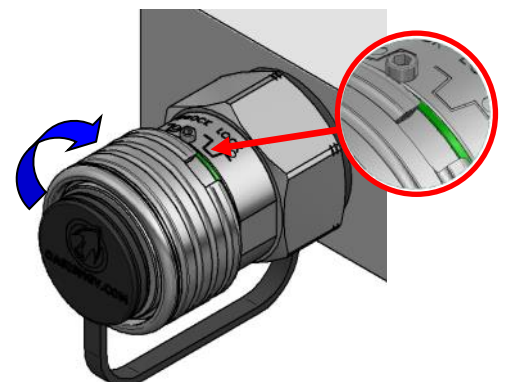
4. Sleeve should return forward.



5. Pull back sleeve and push dust cap into female. Sleeve should click forward into place

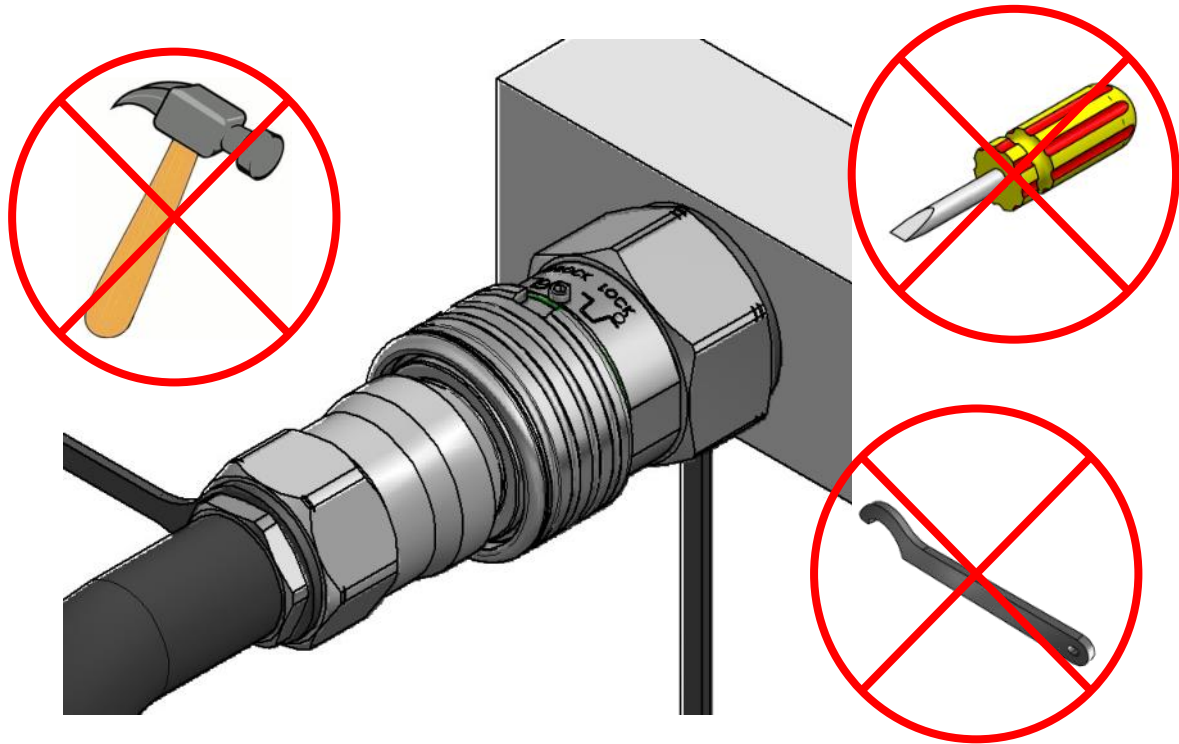


6. If successfully coupled, the green ring behind the sleeve will be visible. Twist the sleeve and check that coupling is locked in place.



Warning!

Do not use excessive impact or twisting force to try and remove coupler if frozen. Doing so may damage the coupler or cause fixed connections to come loose. To aid use of the coupler when ice is present use HC308-COVER (sold separately).



Oasis recommends the use of the following PPE when operating coupler:



Foot Protection



Hearing Protection



Safety Helmets



Hand Protection



Safety Glasses

**Stand clear of coupler when in use.
The use of hose restraints is recommended
while using the HC308 couplers, contact Oasis
Engineering for more info.**

Service Kit Part - HC308-SKDDDN-F



Poppet spring



Female poppet
(pre - assembled)



1x 916 O-ring



1x 028 Back-up ring



1x 029 O-ring



Silicone Grease
Rocol MX22 or similar
(For all O-rings)



1x 128 Back-up ring



1x 128 O-ring

The Complete Oasis Seal Kit must be used

Tools Required



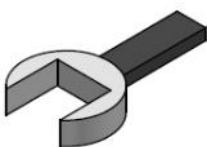
Cleaner (Warm Soapy
Water or Similar)



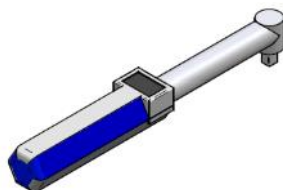
Pick Tool
Part Number:
TOOL-PICK
(Sold separately)



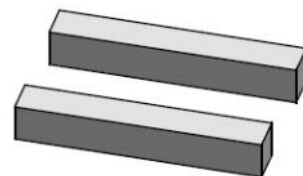
Anti Seize Grease
(Loctite 771 or Similar)
For All Threads



Spanner
(Wrench)
- Size: 55 mm

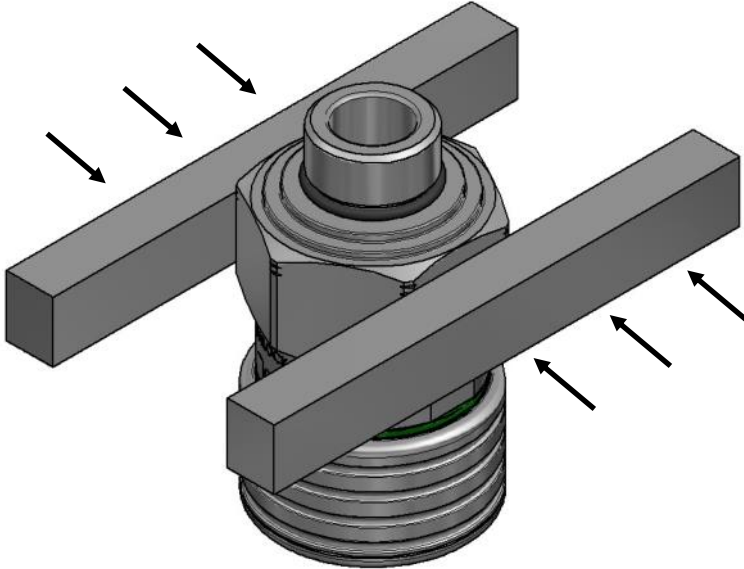


Torque Wrench

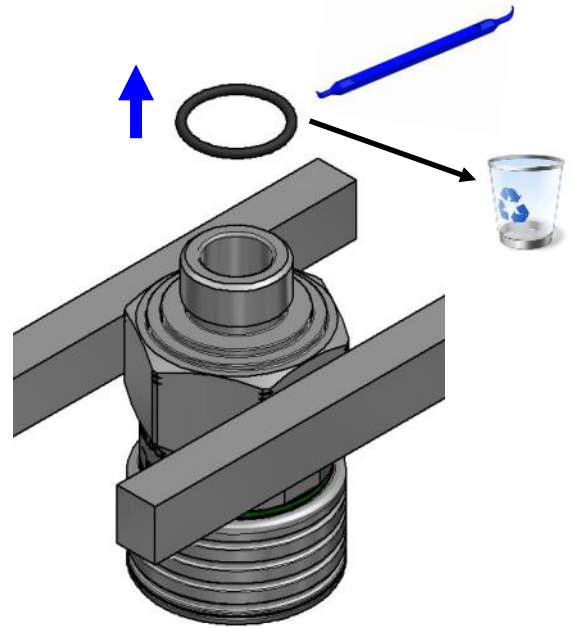


Vice

1. Clamp female coupler as shown in vice.

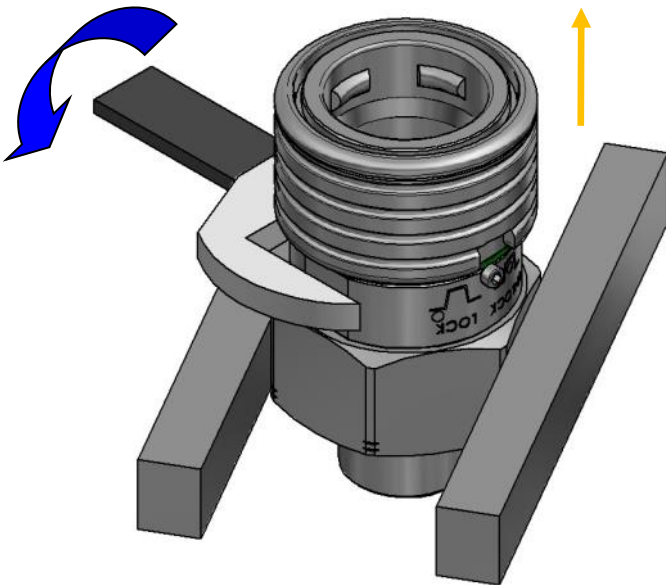


2. Remove 916 O-ring and discard.

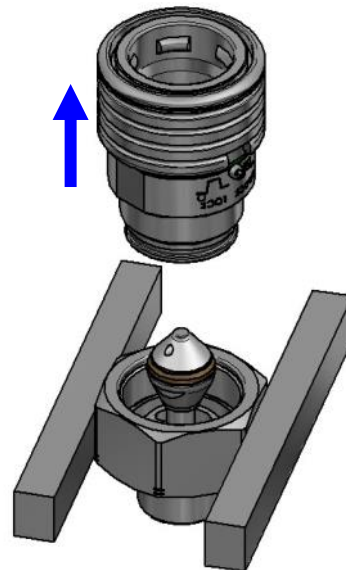


3. Unscrew body from the end cap.

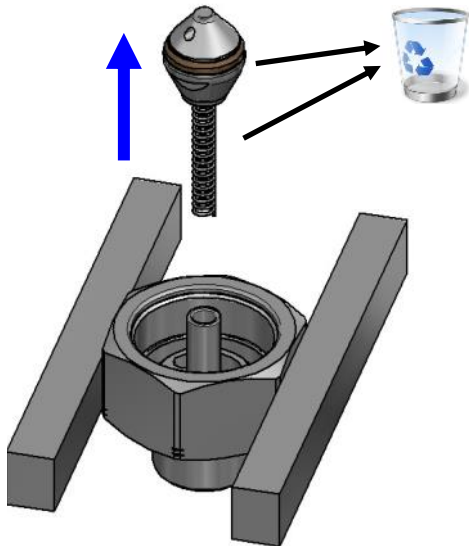
Spanner size: 55 mm



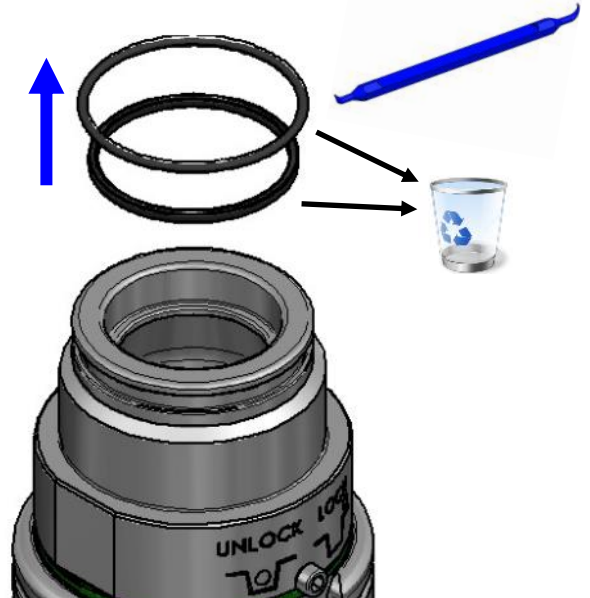
4. Remove body.



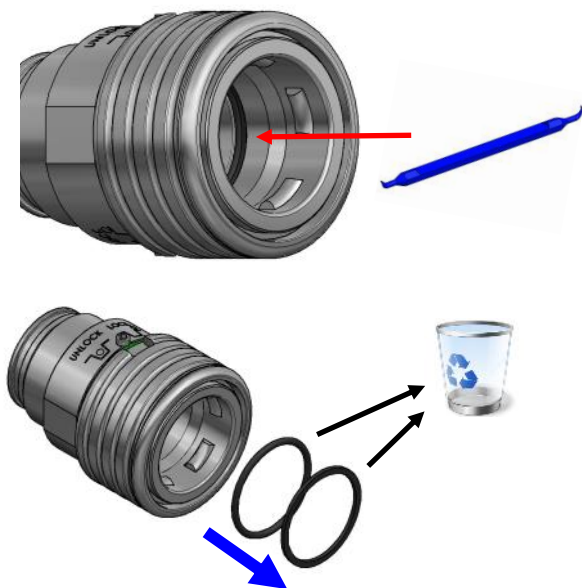
5. Remove poppet as well as spring and discard.



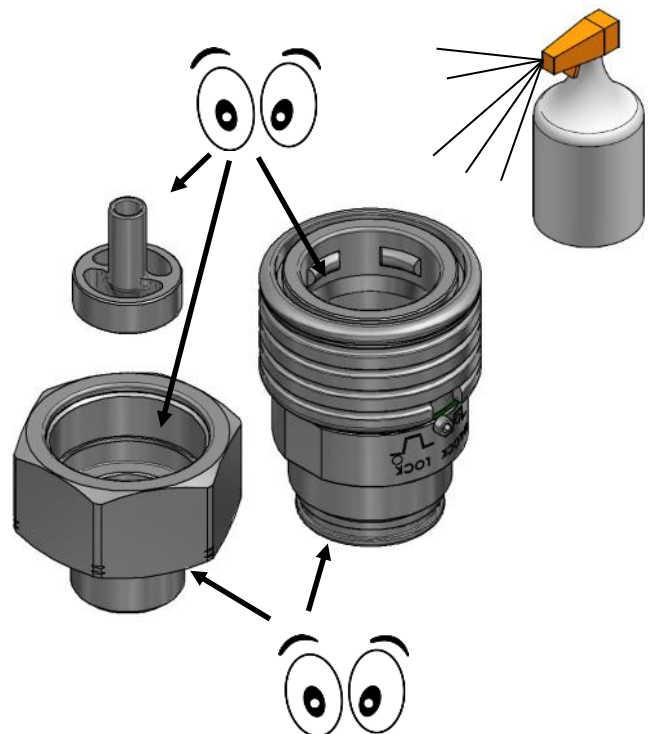
6. Remove 029 O-ring as well as 028 Back-up ring and discard. Be careful not to damage body.



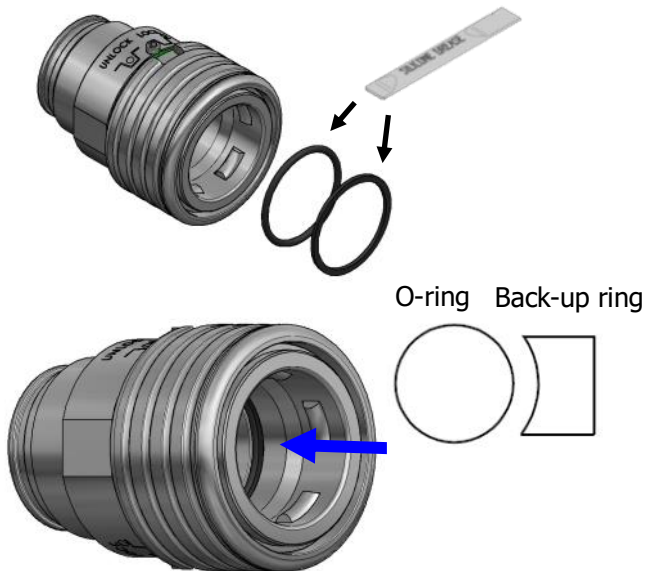
7. Remove 128 Back-up ring as well as 128 O-ring and discard. Be careful not to damage body.



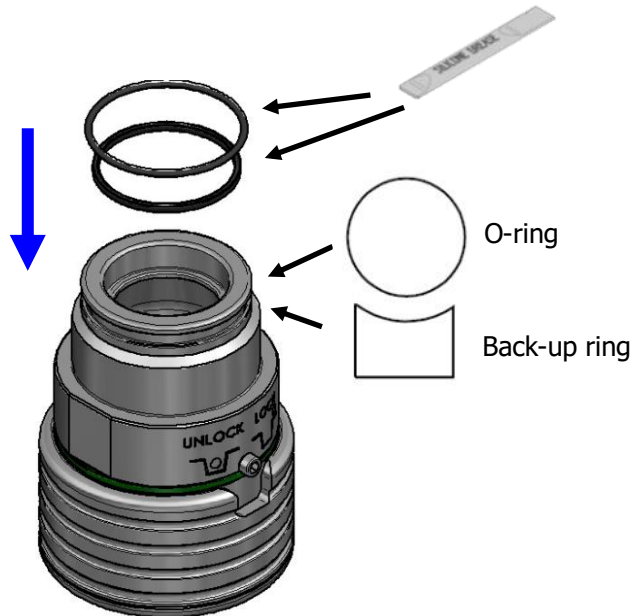
8. Clean all of the components and visually inspect parts for damage. In particular the sealing faces, poppet retainer and coupler profile



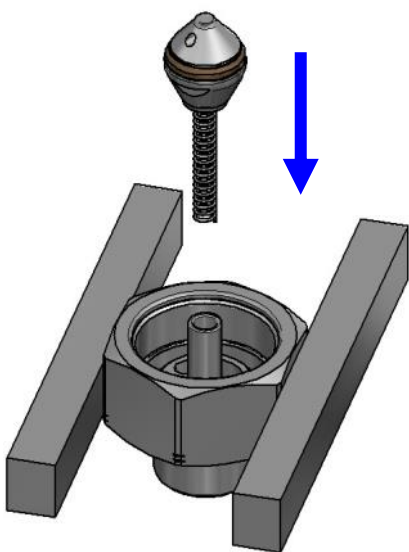
1. Install 128 O-ring and 128 Back-up ring.



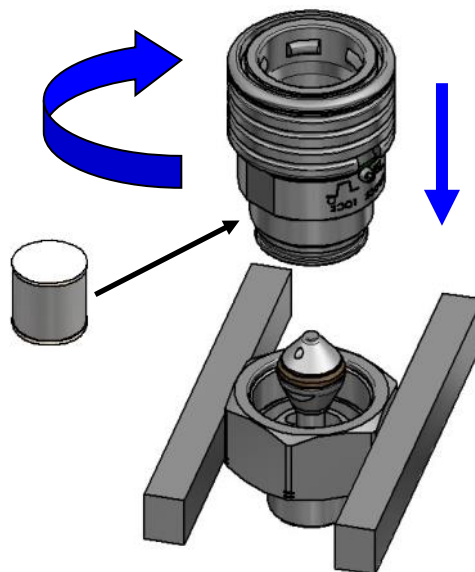
2. Install 028 Back-up ring and 029 O-ring.



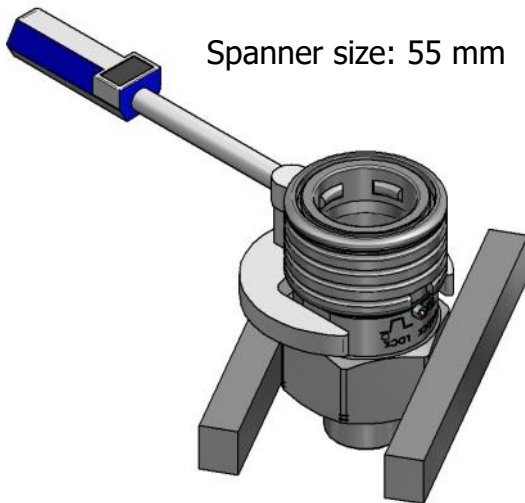
3. Install new poppet and spring.



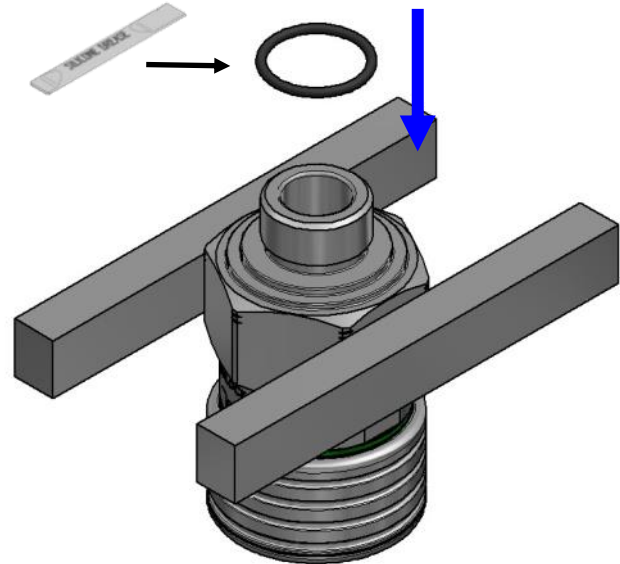
4. Screw body into end cap.



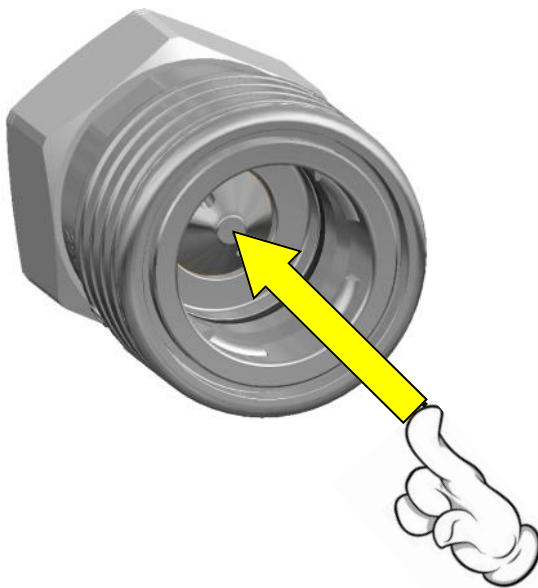
**5. Torque body to 200 Nm
(147.5 ft lb).**



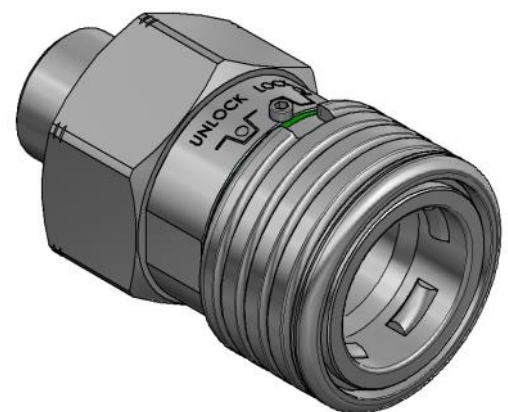
6. Install 916 O-ring.



**6. Check the poppet moves freely
by depressing it and releasing it.**



7. Coupler servicing complete.



**8. Refer to installation instructions for refitting
of the device and dust cap.**

Accessories Available



1" Ultra Fast Fill Quick Coupler Female - SAE Male Thread Dust Cap
(HC308-SDC-F)



HC308 Ice Cover
(HC308-COVER)